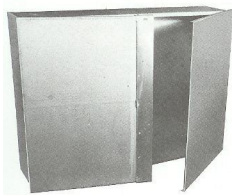




**K & S METAL ENCLOSURES**  
**ELECTRICAL *BOX AND PANEL MFG. CO.*, INC**

---

UTILITY ENCLOSURES  
CT CABINETS, END BOXES, SPLICE BOXES  
PECO & PPL APPROVED



873 EAST BALTIMORE PIKE #451  
KENNETT SQUARE PA 19348  
PHONE: (610) 998-1370 Fax: (610) 998-1379

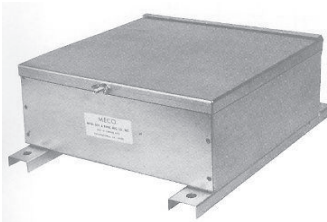
[www.ksmetalenclosures.com](http://www.ksmetalenclosures.com)



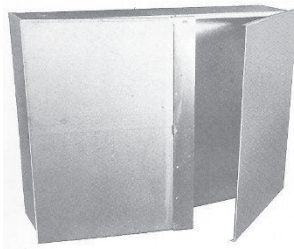
# K & S Metal Enclosures Inc.

873 East Baltimore Pike #451 Kennett Square, PA 19348  
(PH) 610-998-1370 (FAX) 610-998-1379

Distributors List Prices 2013  
**UTILITY APPROVED ENCLOSURES**



UNDERGROUND BOX



DOUBLE DOOR  
TRANSFORMER  
CABINET

- Indoor and outdoor CT cabinets are in stock for immediate delivery.
- Special sizes and mounting stands available. Please call for quote.

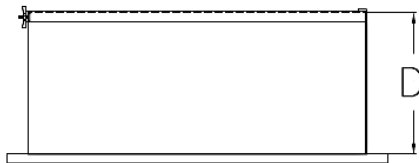
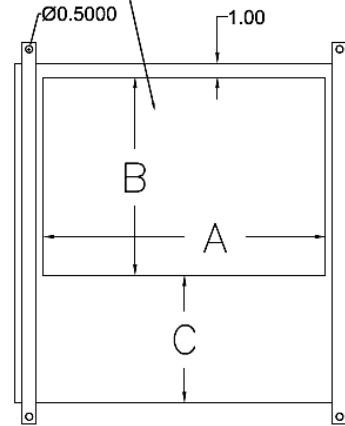
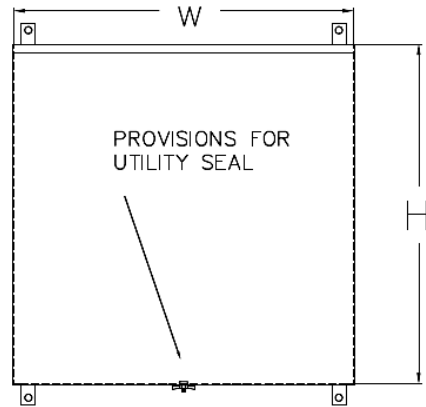


UNDERGROUND BOXES				
PAGE #	CATALOG #	SIZE (H"xW"xD")	WEIGHT	LIST PRICE
3	051212UBX	12 x 12 x 5	9	\$48.68
3	061616UBX	16 x 16 x 6	17	\$70.15
3	082020UBX	20 x 20 x 8	25	\$105.93
3	102424UBX	24 x 24 x 10	33	\$175.34
3	183636UBX	36 x 36 x 18	150	\$901.75
3	244242UBX	42 x 42 x 24	170	\$1,001.95
<b>IN QUANTITIES OF 10 ASSORTED SIZES THERE IS AN ADDITIONAL 5% DISCOUNT</b>				
CURRENT TRANSFORMER (CT) CABINETS INDOOR				
PAGE #	CATALOG #	SIZE (H"xW"xD")	WEIGHT	LIST PRICE
4	101824CT	18 x 24 x 10 SINGLE DOOR 14 GA	37	\$115.37
5	102432CT	24x 32 x 10 DOUBLE DOOR 14 GA	65	\$191.64
6	103232CT	32 x 32 x 10 DOUBLE DOOR 14 GA	75	\$261.37
7	103242CT	32 x 42 x 10 DOUBLE DOOR 14 GA	175	\$522.95
8	124254CT	42 x 54 x 12 DOUBLE DOOR 14 GA	142	\$789.23
<b>IN QUANTITIES OF 10 ASSORTED SIZES THERE IS AN ADDITIONAL 5% DISCOUNT</b>				
NEMA 3R CT CABINETS OUTDOOR				
PAGE #	CATALOG #	SIZE (H"xW"xD")	WEIGHT	LIST PRICE
9	152818N3R	28 x 18 x 15 SINGLE DOOR 14 GA	50	\$688.50
10	153530N3R	35 x 30 x 15 DOUBLE DOOR 14 GA	90	\$899.80
11	153540N3R	35 x 40 x 15 DOUBLE DOOR 14GA	103	\$1,204.75
12	154232N3R	42 x 32 x 15 DOUBLE DOOR 14 GA	120	\$1,157.21
13	154254N3R	42 x 54 x 15 DOUBLE DOOR 14 GA	184	\$1,451.69
<b>IN QUANTITIES OF 5 ASSORTED SIZES AND TYPES OF CT CABINETS THERE IS AN ADDITIONAL 5% DISCOUNT</b>				
WALL MOUNTED SPLICE BOX OUTDOOR				
PAGE #	CATALOG #	SIZE (H"xW"xD")	WEIGHT	LIST PRICE
14	244242SPL	42 x 42 x 24	220	\$1,507.35
15	244260SPL	42 x 60 x 24	312	\$1,550.62
PP&L CT CABINETS NEMA-1 (INDOOR)				
PAGE #	CATALOG #	SIZE (H"xW"xD")	WEIGHT	List Price
16	124848CT	48" x 48" x 12"	156	\$780.56
17	127248CT	72" x 48" x 12"	234	\$2,145.25
PP&L CT CABINETS NEMA-3R (OUTDOOR)				
PAGE #	CATALOG #	SIZE (H"xW"xD")	WEIGHT	List Price
18	124848N3R	48" x 48"x 12"	162	\$868.80
19	127248N3R	72" x 48"x 12"	243	\$2,235.17

K&S METAL ENCLOSURES  
 END BOXES FOR SERVICE CONDUCTORS  
 (UNDERGROUND ENTRANCE BOXES)

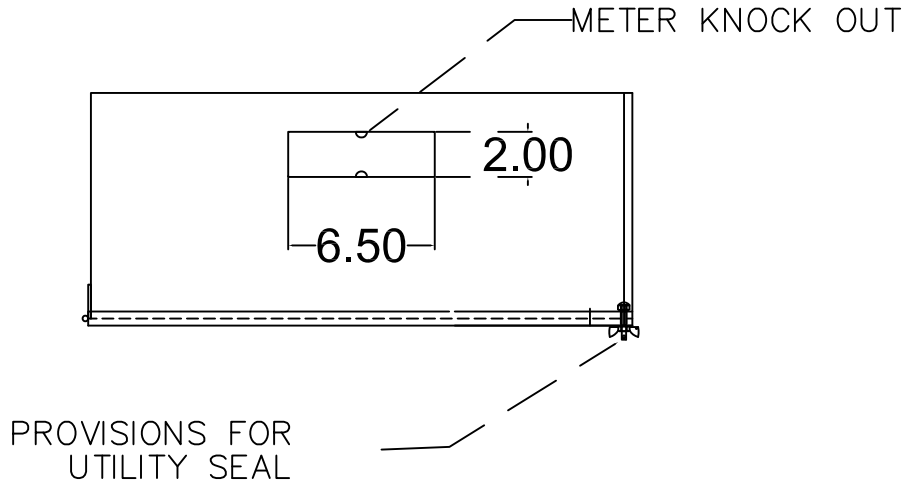
REFERENCE: PECO ELECTRIC SERVICE REQUIREMENTS  
 MANUAL  
 SECONDARY SERVICES, REV 2; SECTION 6.3.1.1 END  
 BOX SIZES

OPENING IN BACK OF BOX  
 FOR ENTRANCE OF SERVICE  
 DUCTS AND CONDUCTORS  
 SEE SIZE



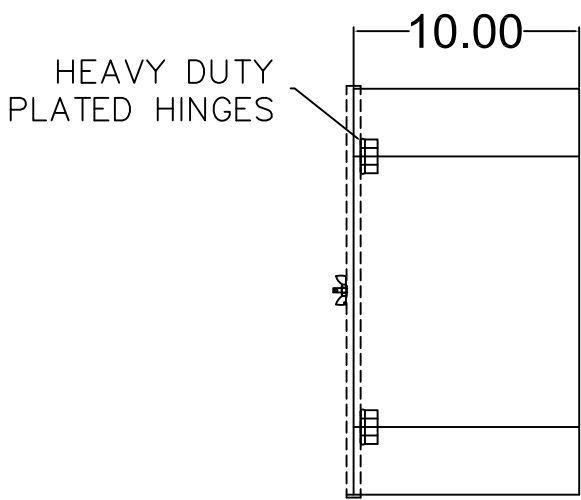
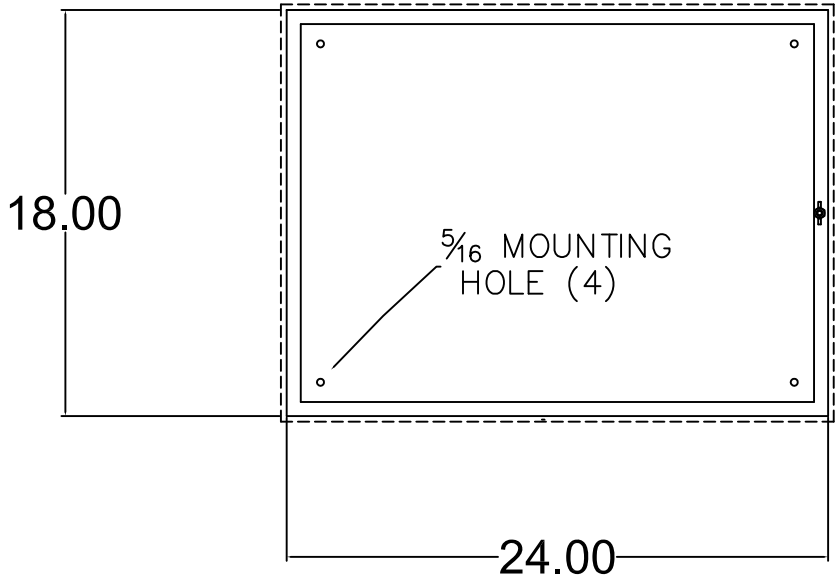
BOX SIZE			METAL GAUGE	BACK OPENING		
H	W	D		A	B	C
12	12	5	16	8	8	3
16	16	6	16	12	10	5
20	20	8	16	16	12	7
24	24	10	14	20	14	9
36	36	18	14	32	24	11
42	42	24	14	32	28	13

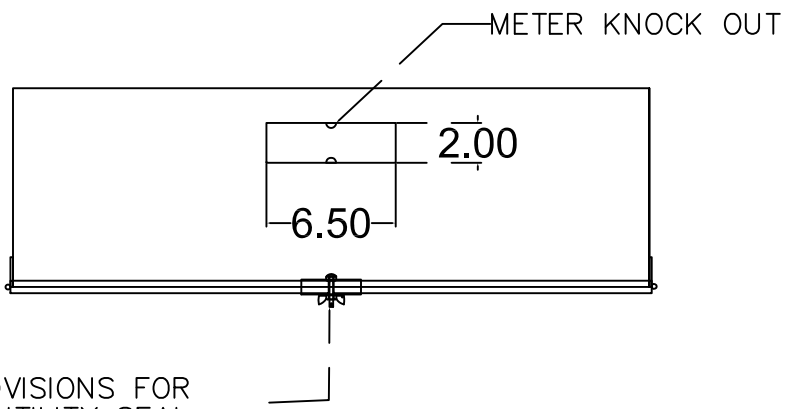
ALL MEASUREMENTS IN INCHES



K&S METAL ENCLOSURES  
 18X24X10 PECO SECONDARY METERING  
 CABINET  
 CATALOG #: 1-10

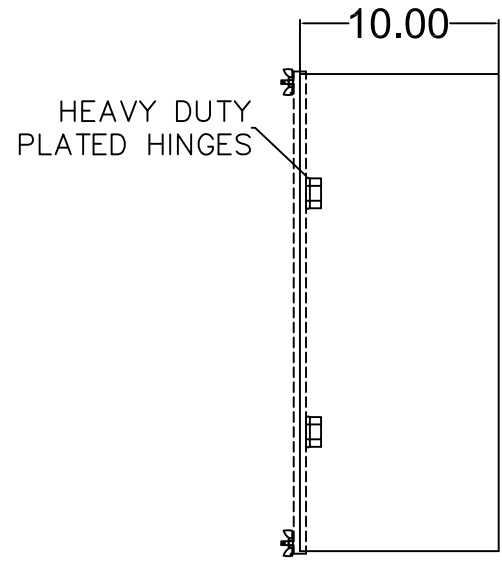
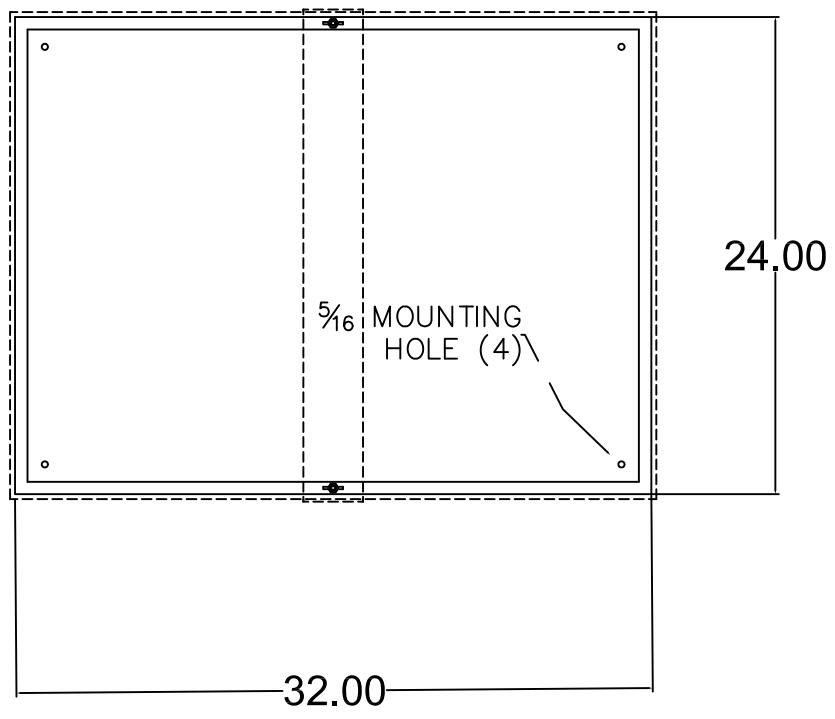
- NOTES:
- NEMA 1, SINGLE DOOR WALL MOUNTED
  - 14 GAUGE GALVANIZED

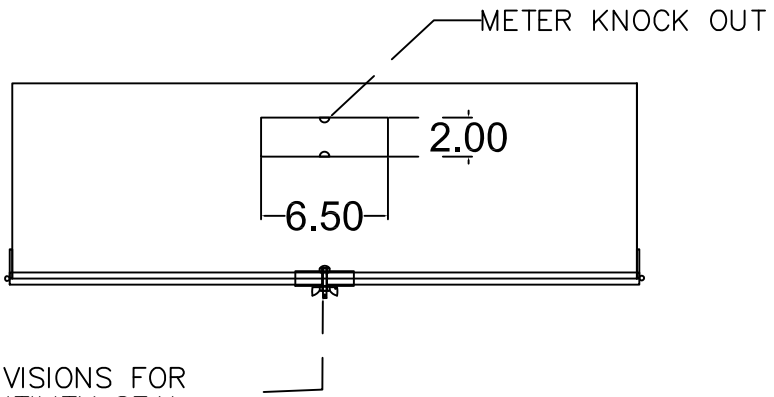




K&S METAL ENCLOSURES  
 24X32X10 PECO SECONDARY METERING  
 CABINET  
 CATALOG #: 2-10

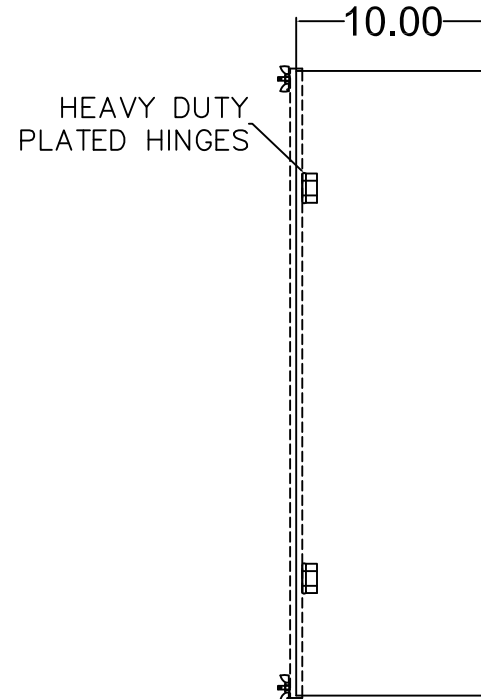
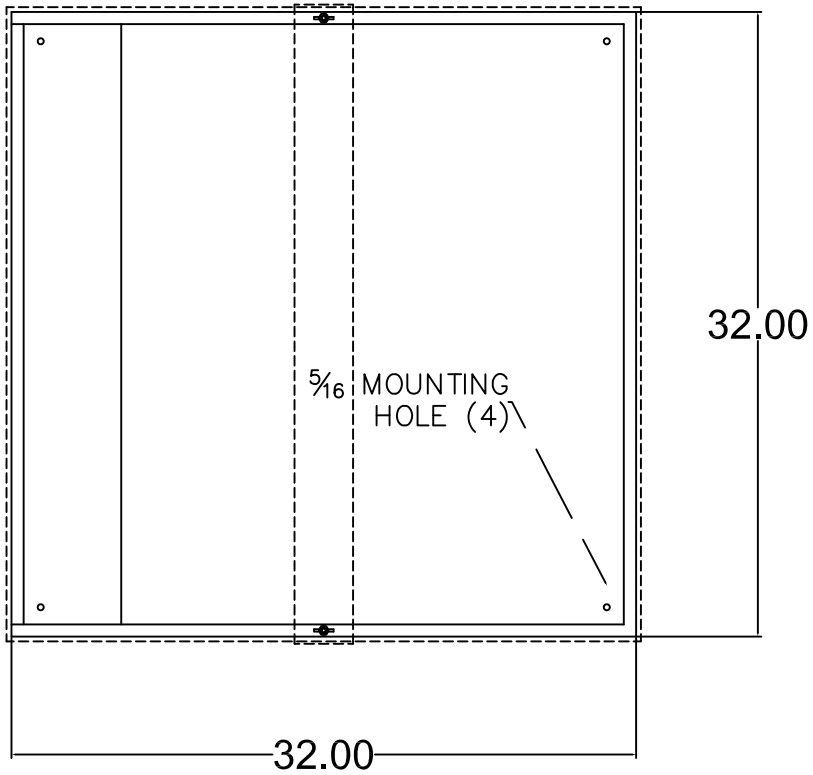
- NOTES:
- NEMA 1, DOUBLE DOOR WALL MOUNTED
  - 14 GAUGE GALVANIZED

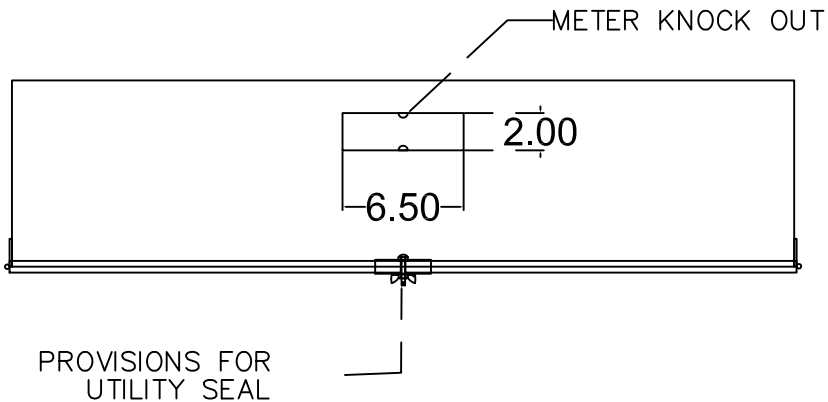




K&S METAL ENCLOSURES  
 32X32X10 PECO SECONDARY METERING  
 CABINET  
 CATALOG #: 3-10

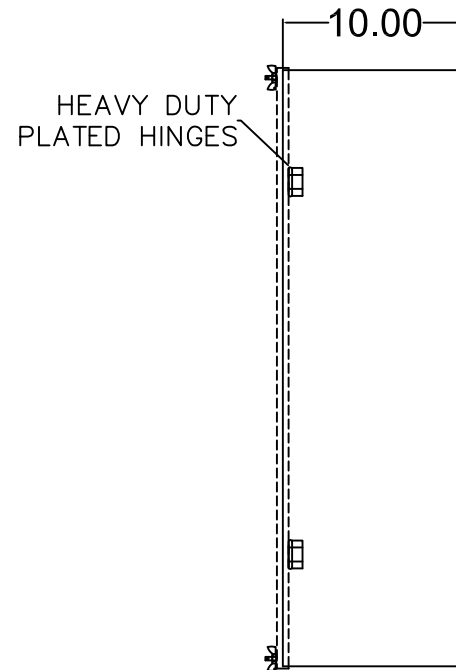
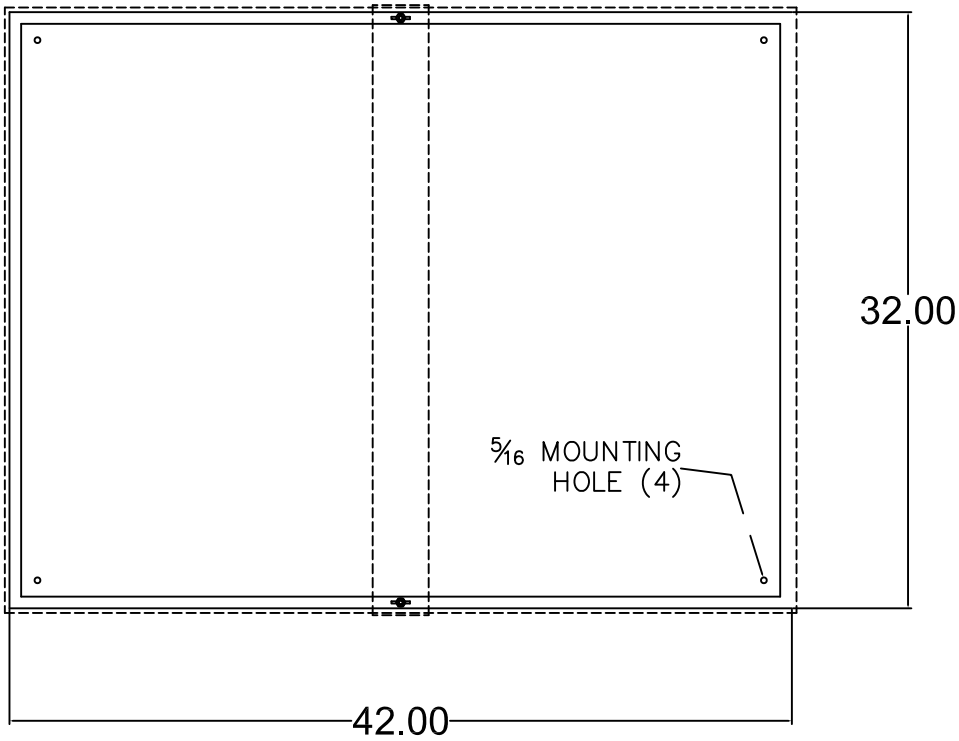
- NOTES:
- NEMA 1, DOUBLE DOOR WALL MOUNTED
  - 14 GAUGE GALVANIZED

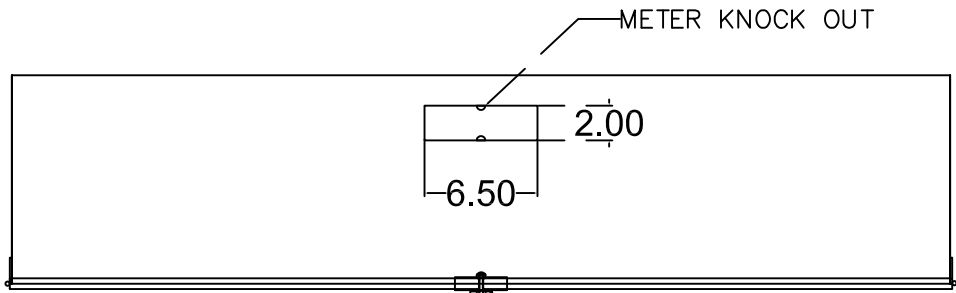




K&S METAL ENCLOSURES  
 32X42X10 PECO SECONDARY METERING  
 CABINET  
 CATALOG #: 4-10

- NOTES:
- NEMA 1 , DOUBLE DOOR WALL MOUNTED
  - 14 GAUGE GALVANIZED



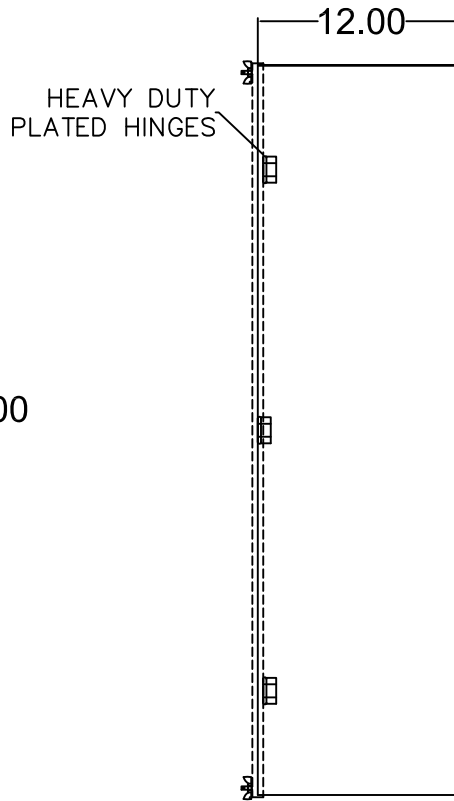
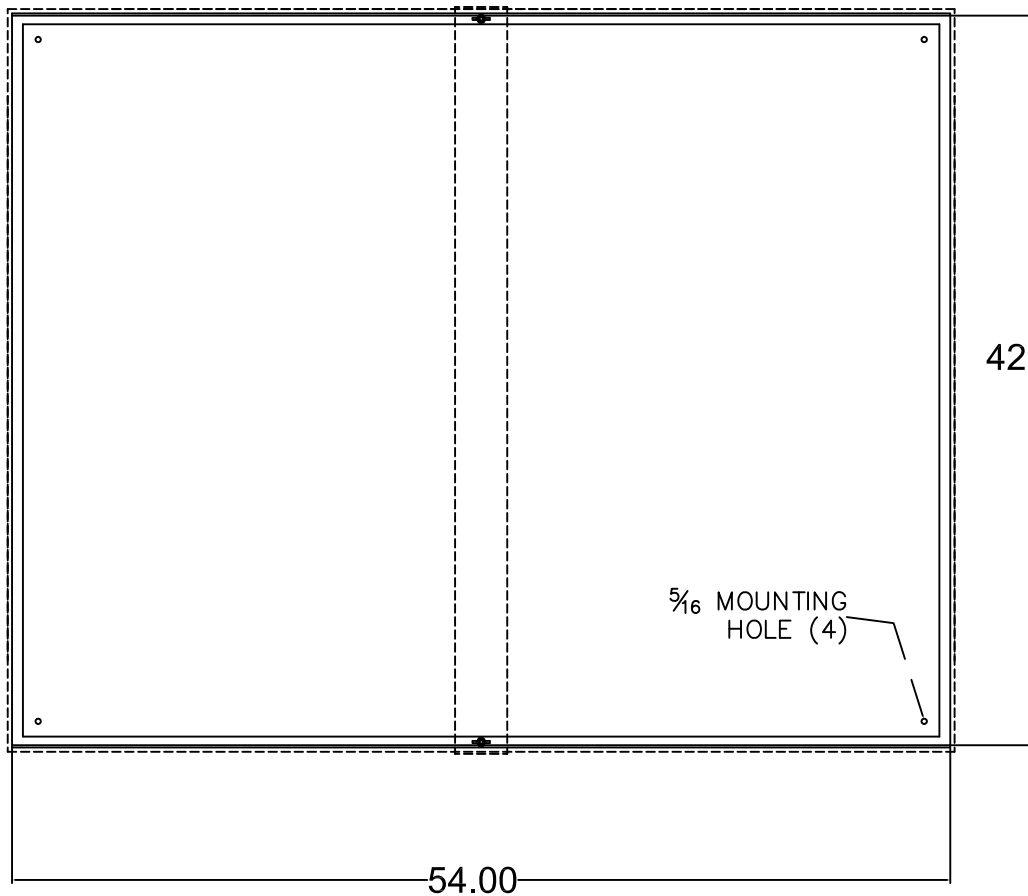


PROVISIONS FOR  
UTILITY SEAL

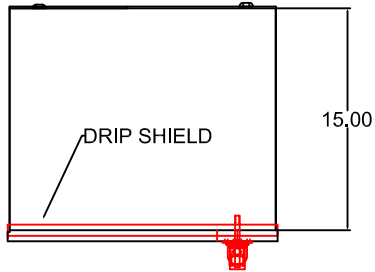
K&S METAL ENCLOSURES  
42X54X12 PECO SECONDARY METERING  
CABINET  
CATALOG #: 5-12

NOTES:

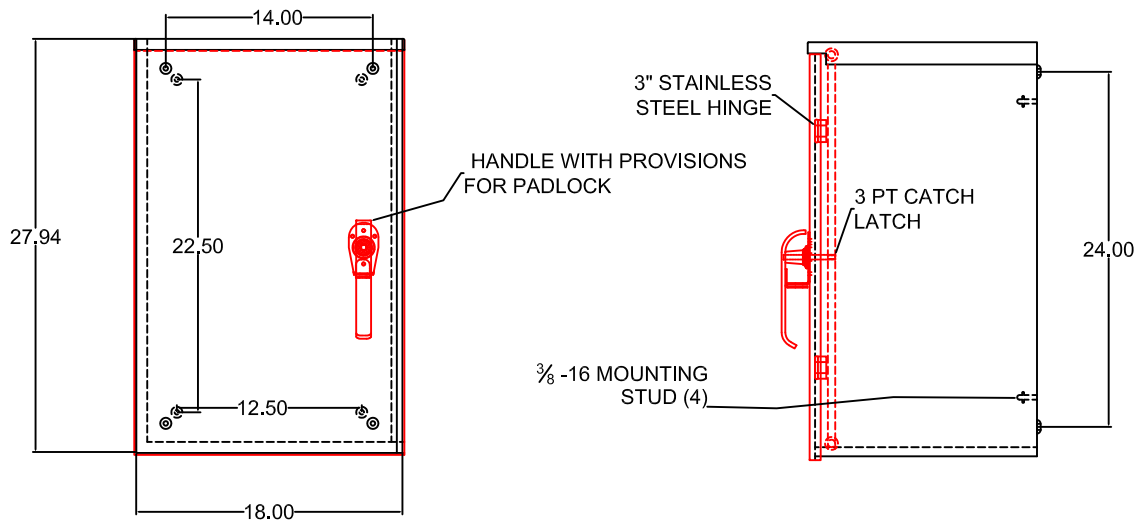
- NEMA 1 , DOUBLE DOOR WALL MOUNTED
- 14 GAUGE GALVANIZED





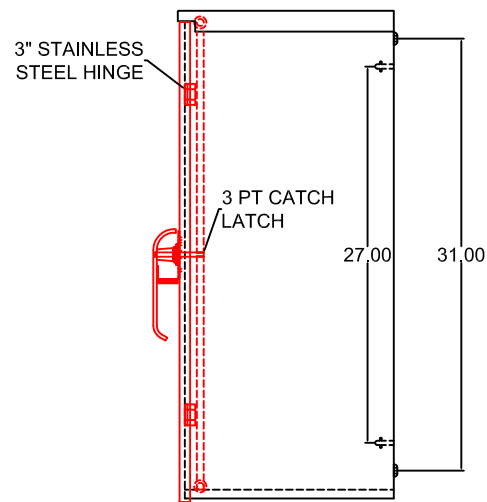
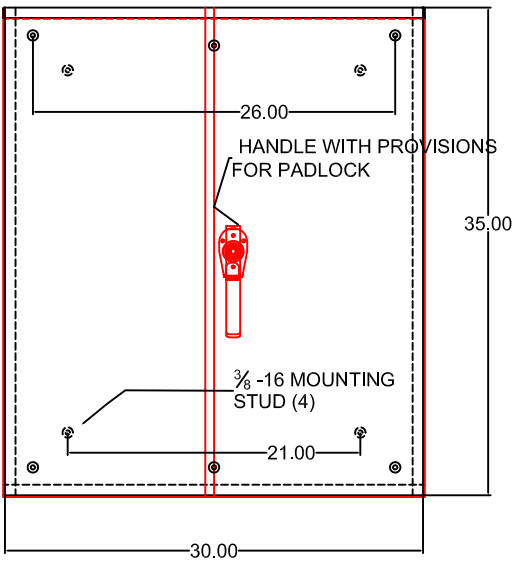
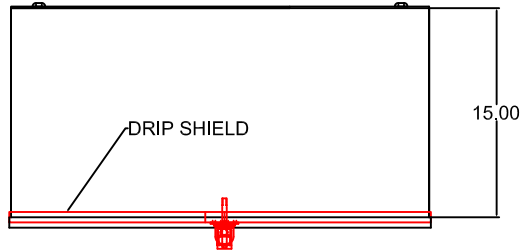


K&S METALS  
 28 X 18 X 15 NEMA 3R CT  
 CABINET  
 PECO #: M2818



NOTES:

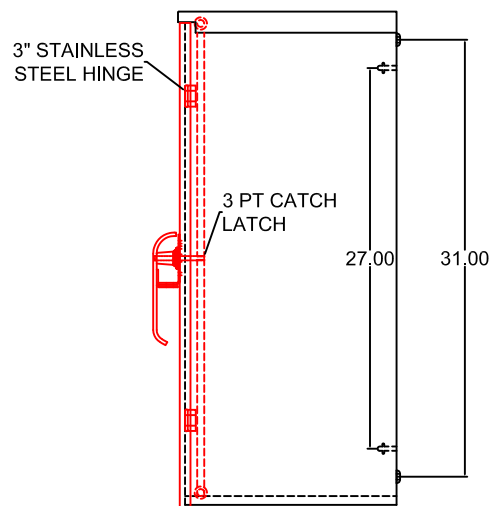
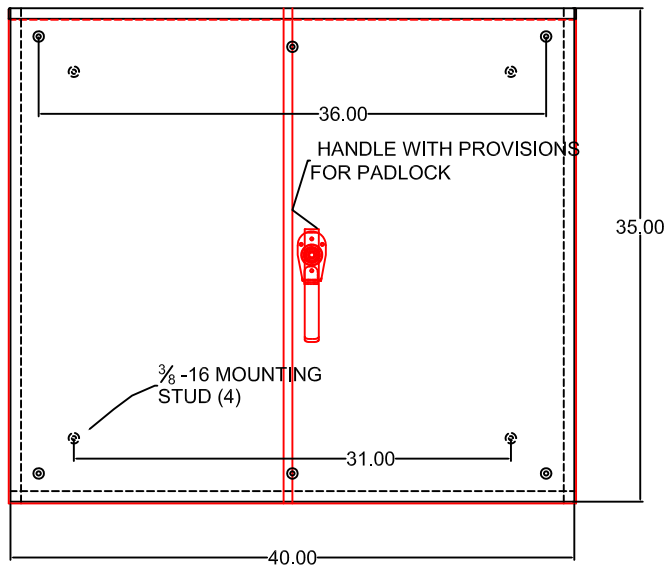
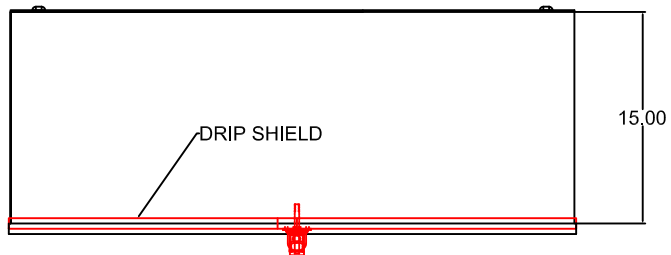
- NEMA 3R OUTDOOR CONSTRUCTION
- MOUNTING HOLES TOP & BOTTOM
- SINGLE DOOR IS FURNISHED WITH 3PT CATCH HANDLE & AND LIFT-OFF TYPE HINGES
- $\frac{3}{16}$  -16 STUDS FOR CURRENT TRANSFORMER MOUNTING
- TOP MOUNTED DRIP SHIELD PROTECTS AGAINST FALLING RAIN, SLEET, AND EXTERNAL ICE FORMATION
- 14 GAUGE GALVANIZED STEEL FINISH



K&S METALS  
 35 X 30 X 15 NEMA 3R CT  
 CABINET  
 PECO #: M3530

NOTES:

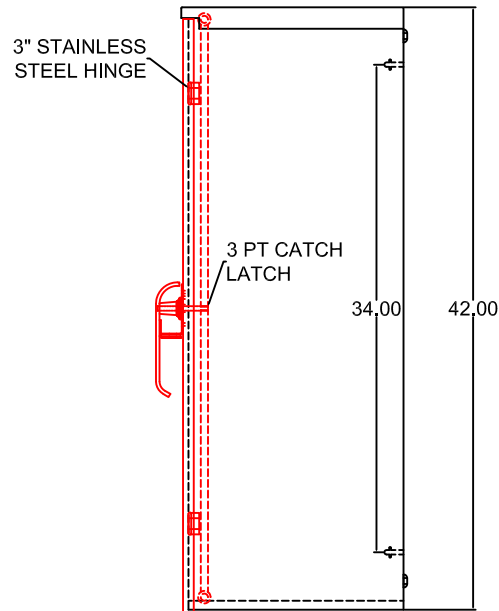
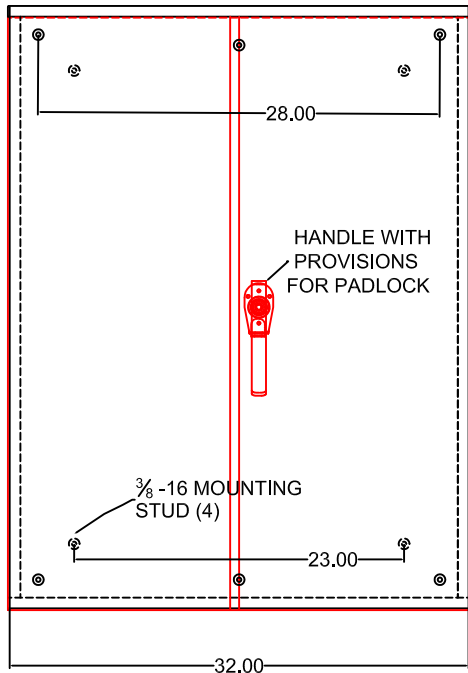
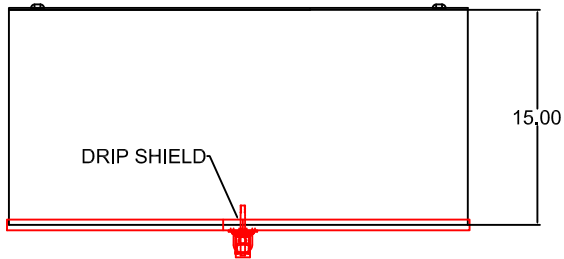
- NEMA 3R OUTDOOR CONSTRUCTION
- MOUNTING HOLES TOP & BOTTOM
- OVERLAPPING DOORS ARE FURNISHED WITH 3PT CATCH HANDLE & AND LIFT-OFF TYPE HINGES
- $\frac{3}{8}$  -16 STUDS FOR CURRENT TRANSFORMER MOUNTING
- TOP MOUNTED DRIP SHIELD PROTECTS AGAINST FALLING RAIN, SLEET, AND EXTERNAL ICE FORMATION
- 14 GAUGE GALVANIZED STEEL FINISH



K&S METALS  
 35 X 40 X 15 NEMA 3R CT  
 CABINET  
 PECO #: M3540

NOTES:

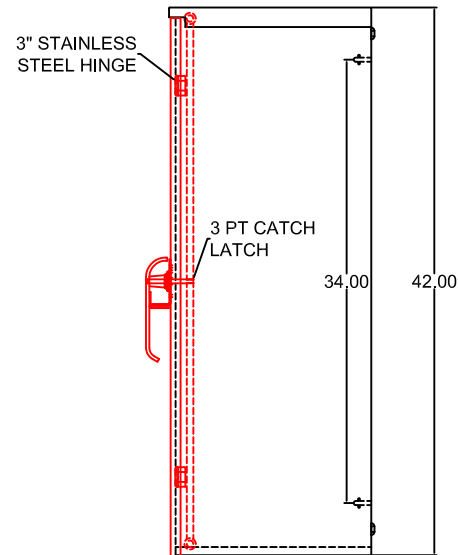
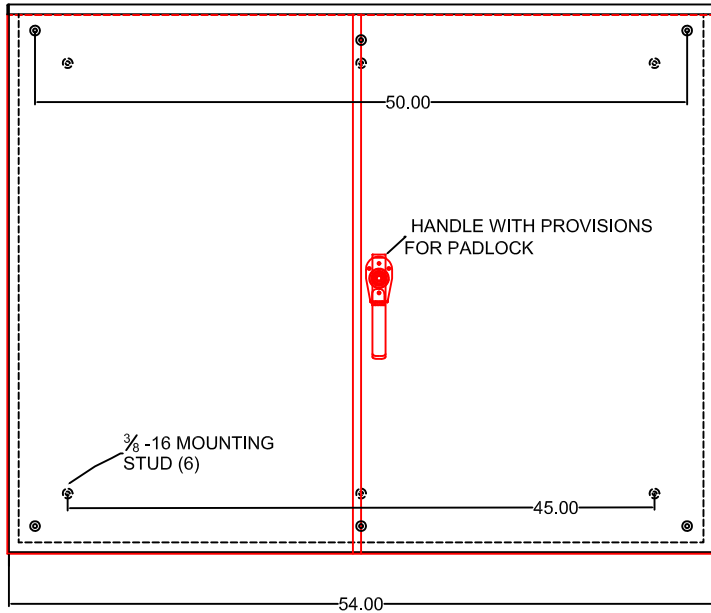
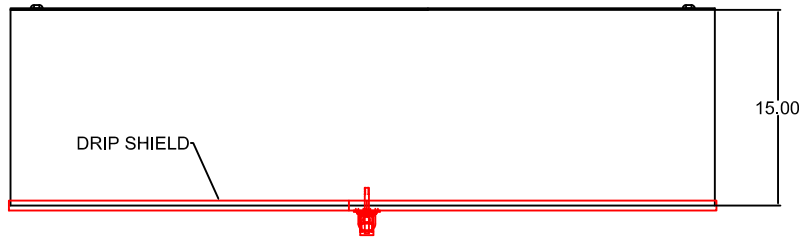
- NEMA 3R OUTDOOR CONSTRUCTION
- MOUNTING HOLES TOP & BOTTOM
- OVERLAPPING DOORS ARE FURNISHED WITH 3PT CATCH HANDLE & LIFT-OFF TYPE HINGES
- $\frac{3}{8}$  -16 STUDS FOR CURRENT TRANSFORMER MOUNTING
- TOP MOUNTED DRIP SHIELD PROTECTS AGAINST FALLING RAIN, SLEET, AND EXTERNAL ICE FORMATION
- 14 GAUGE GALVANIZED STEEL FINISH



K&S METALS  
 42 X 32 X 15 NEMA 3R CT  
 CABINET  
 PECO #: M4232

NOTES:

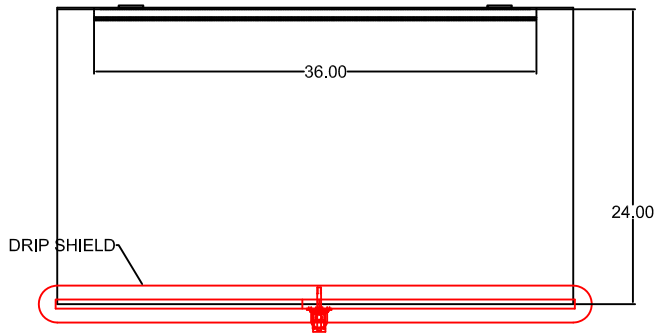
- NEMA 3R OUTDOOR CONSTRUCTION
- MOUNTING HOLES TOP & BOTTOM
- OVERLAPPING DOORS ARE FURNISHED WITH 3PT CATCH HANDLE & LIFT-OFF TYPE HINGES
- 3/8" -16 STUDS FOR CURRENT TRANSFORMER MOUNTING
- TOP MOUNTED DRIP SHIELD PROTECTS AGAINST FALLING RAIN, SLEET, AND EXTERNAL ICE FORMATION
- 14 GAUGE GALVANIZED STEEL FINISH



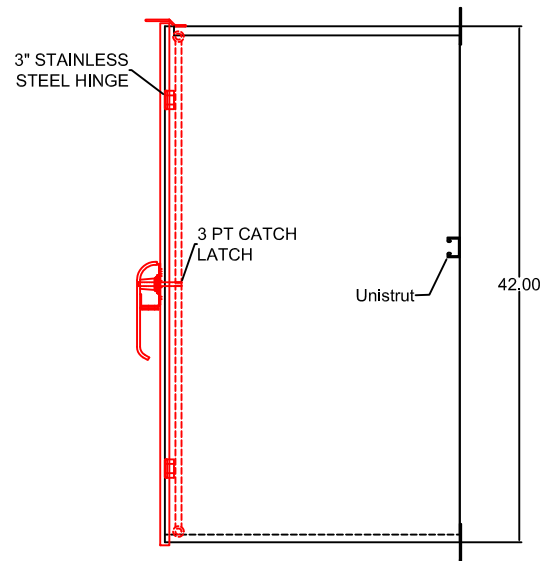
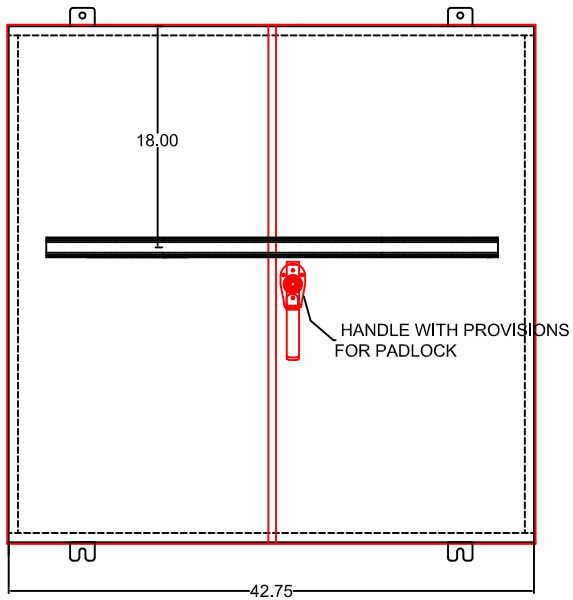
K&S METALS  
 42 X 54 X 15 NEMA 3R CT  
 CABINET  
 PECO #: M4254

NOTES:

- NEMA 3R OUTDOOR CONSTRUCTION
- MOUNTING HOLES TOP & BOTTOM
- OVERLAPPING DOORS ARE FURNISHED WITH 3PT CATCH HANDLE & LIFT-OFF TYPE HINGES
- $\frac{3}{8}$  -16 STUDS FOR CURRENT TRANSFORMER MOUNTING
- TOP MOUNTED DRIP SHIELD PROTECTS AGAINST FALLING RAIN, SLEET, AND EXTERNAL ICE FORMATION
- 14 GAUGE GALVANIZED STEEL FINISH

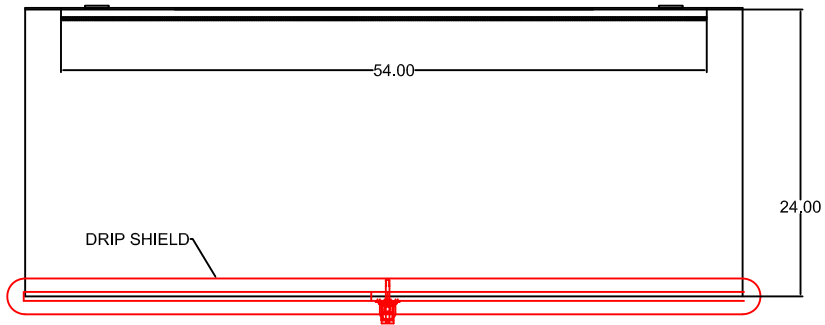


K&S METAL ENCLOSURES  
 42 X 42 X 24 WALL MOUNTED  
 SPLICE BOX  
 CATALOG #: M4242

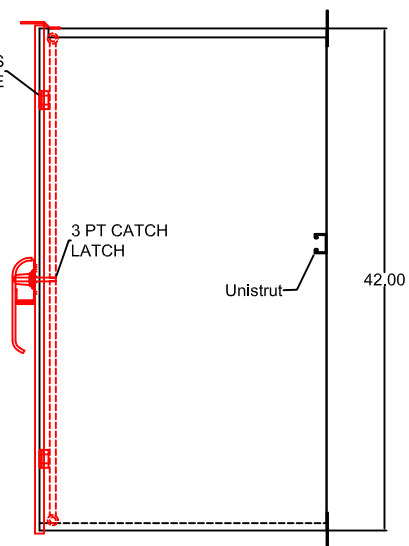
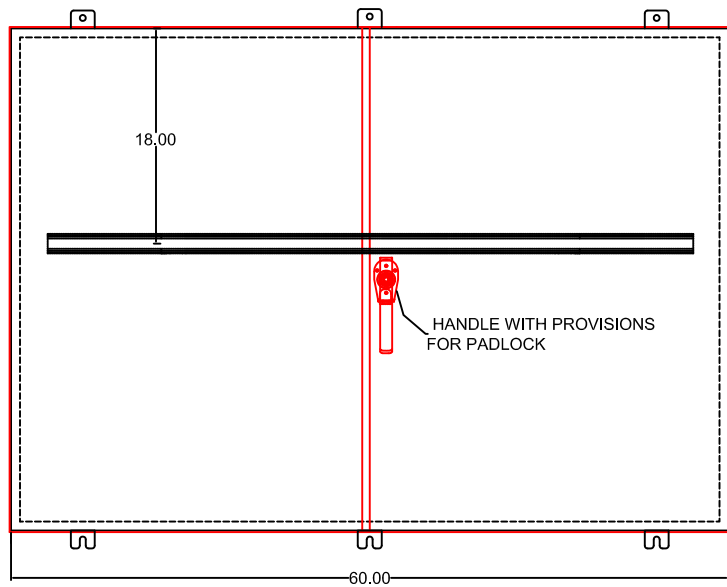


NOTES:

- NEMA 3R OUTDOOR CONSTRUCTION
- MOUNTING FEET TOP & BOTTOM
- OVERLAPPING DOORS ARE FURNISHED WITH 3PT CATCH PADLOCKING HANDLE, WITH GASKET ON DOORS
- 36" PERFORATED UNISTRUT WELDED HORIZONTALLY INSIDE OF CABINET, 18" FROM TOP AND CENTERED LEFT TO RIGHT
- STAINLESS STEEL LIFT OFF TYPE HINGES
- 14 GAUGE GALVANIZED STEEL FINISH
- REFERENCE PECO ELECTRIC SERVICE REQUIREMENTS MANUAL SECTION 10, ACCEPTED EQUIPMENT REV.-4

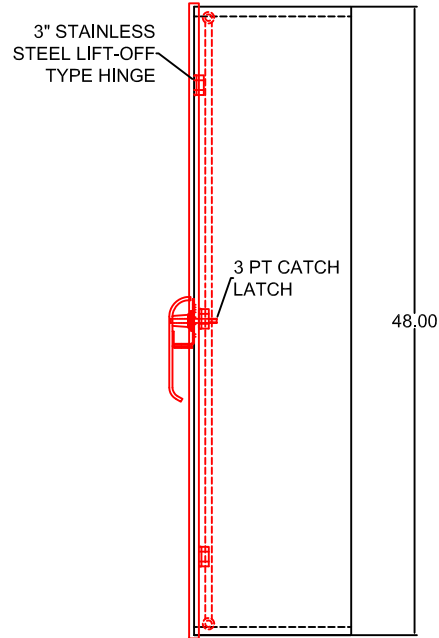
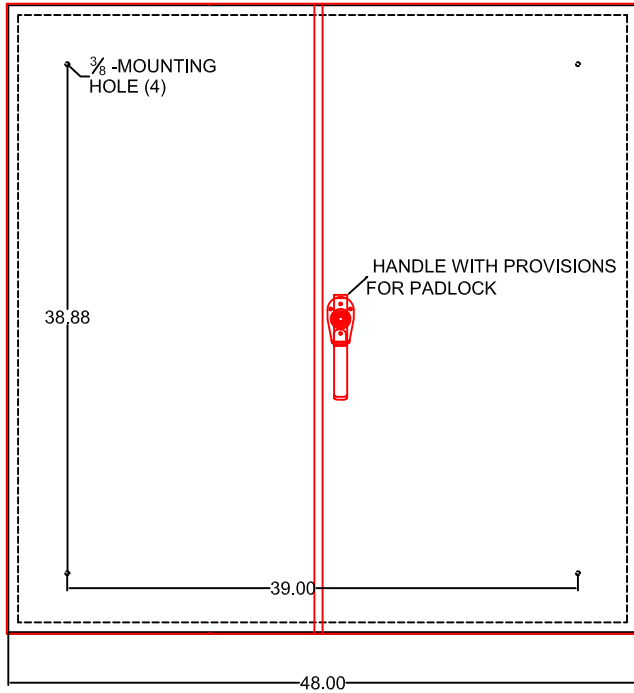
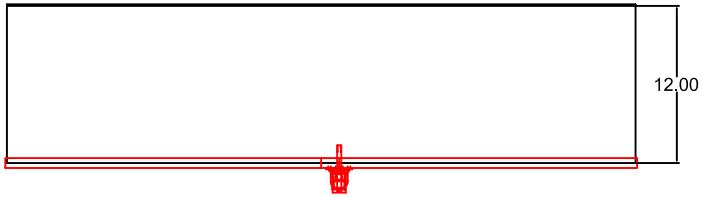


K&S METAL ENCLOSURES  
 42 X 60 X 24 WALL MOUNTED  
 SPLICE BOX  
 CATALOG #: M6042



NOTES:

- NEMA 3R OUTDOOR CONSTRUCTION
- MOUNTING FEET TOP & BOTTOM
- OVERLAPPING DOORS ARE FURNISHED WITH 3PT CATCH PADLOCKING HANDLE, WITH GASKET ON DOORS
- 54" PERFORATED UNISTRUT WELDED HORIZONTALLY INSIDE OF CABINET, 18" FROM TOP AND CENTERED LEFT TO RIGHT
- STAINLESS STEEL LIFT OFF TYPE HINGES
- 14 GAUGE GALVANIZED STEEL FINISH
- REFERENCE PECO ELECTRIC SERVICE REQUIREMENTS MANUAL SECTION 10 ACCEPTED EQUIPMENT REV.-4

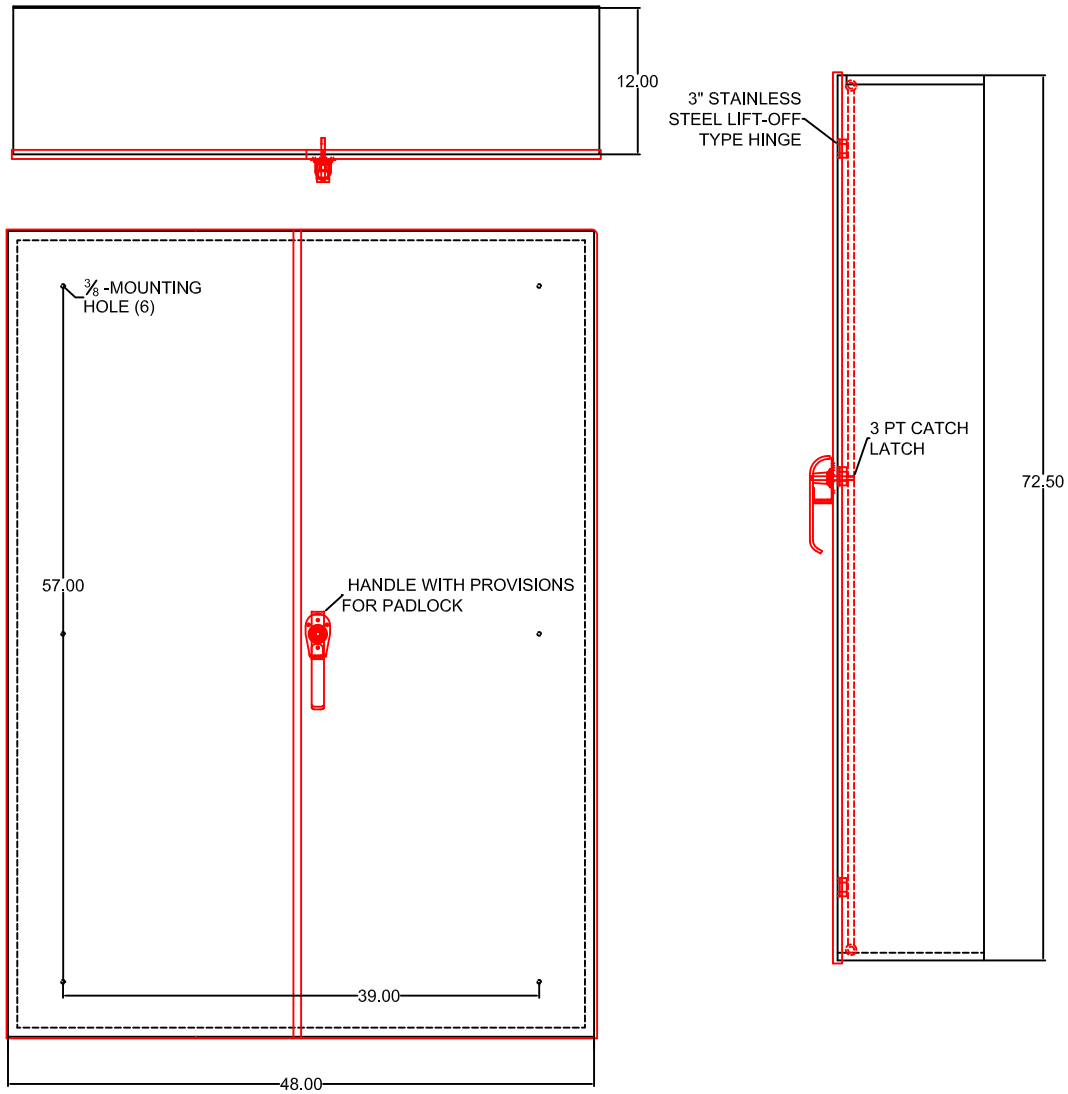


K&S METALS  
 48 X 48 X 12 NEMA 1 CT CABINET  
 PPL UTILITY APPROVED  
 PPL #: K-1248

NOTES:

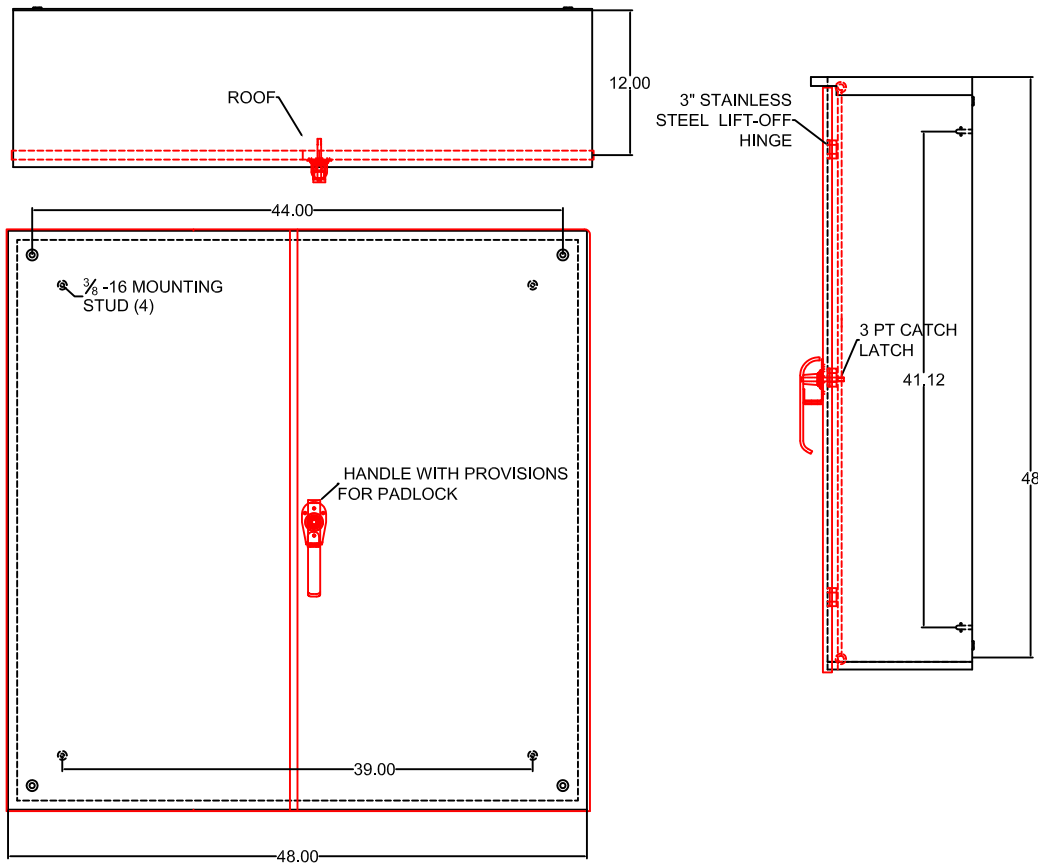
- NEMA 1 INDOOR CONSTRUCTION
- 3/8 HOLES FOR WALL MOUNTING
- OVERLAPPING DOORS ARE FURNISHED WITH 3PT CATCH HANDLE
- UL 50 APPROVED
- 14 GAUGE GALVANIZED STEEL FINISH





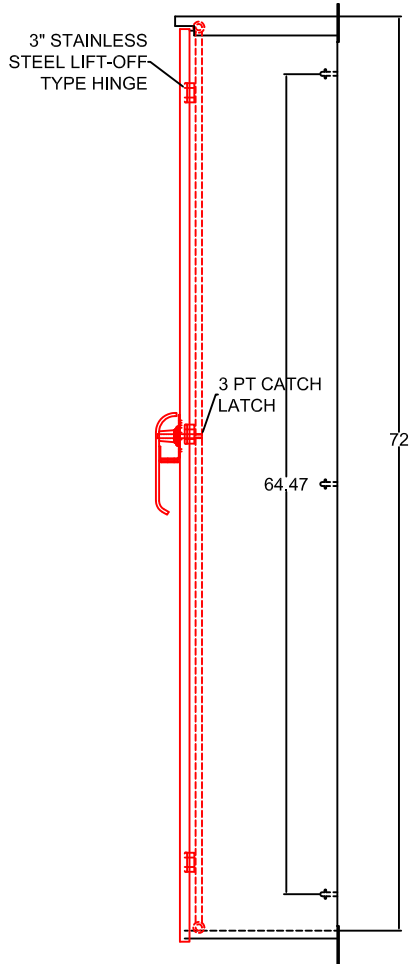
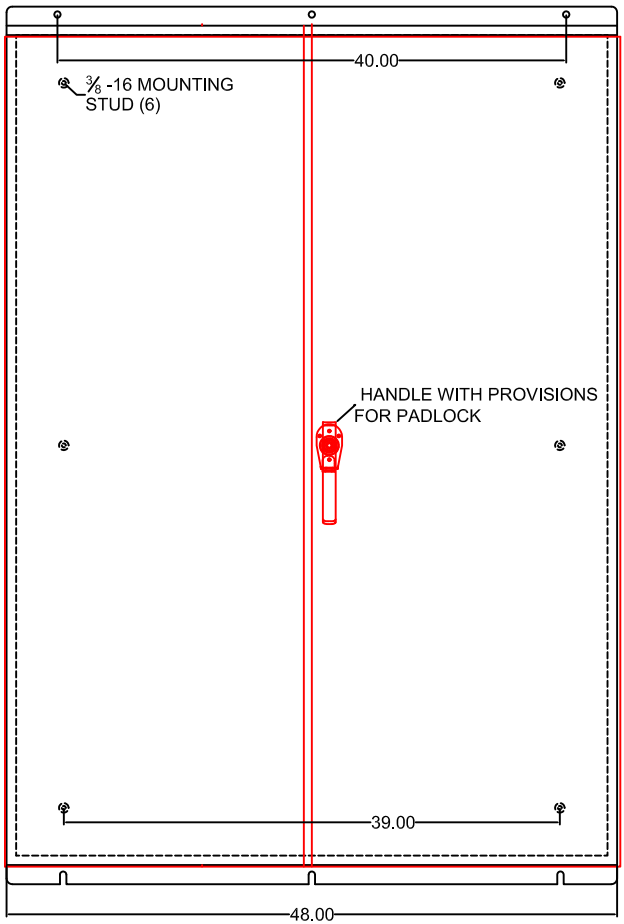
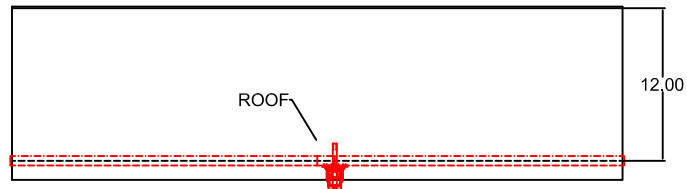
K&S METALS  
 72 X 48 X 12 NEMA 1 CT CABINET  
 PPL UTILITY APPROVED  
 PPL#: K-1272

- NOTES:
- NEMA 1 INDOOR CONSTRUCTION
  - 3/8" HOLES FOR WALL MOUNTING
  - OVERLAPPING DOORS ARE FURNISHED WITH 3PT CATCH HANDLE
  - UL 50 APPROVED
  - 14 GAUGE GALVANIZED STEEL FINISH



K&S METALS  
 48 X 48 X 12 NEMA 3R CT  
 CABINET  
 PPL UTILITY APPROVED  
 PPL#: KR-1248

- NOTES:
- NEMA 3R OUTDOOR CONSTRUCTION
  - EMBOSSED MOUNTING HOLES FOR WALL MOUNTING
  - OVERLAPPING DOORS ARE FURNISHED WITH 3PT CATCH HANDLE
  - 3/8" -16 STUDS FOR CURRENT TRANSFORMER MOUNTING
  - TOP MOUNTED DRIP SHIELD PROTECTS AGAINST FALLING RAIN, SLEET, AND EXTERNAL ICE FORMATION
  - 14 GAUGE GALVANIZED STEEL FINISH



K&S METALS  
 72 X 48 X 12 NEMA 3R CT  
 CABINET  
 PPL UTILITY APPROVED  
 PPL#: KR-1272

- NOTES:
- NEMA 3R OUTDOOR CONSTRUCTION
  - MOUNTING FEET TOP & BOTTOM
  - OVERLAPPING DOORS ARE FURNISHED WITH 3PT CATCH HANDLE
  - $\frac{3}{8}$  -16 STUDS FOR CURRENT TRANSFORMER MOUNTING
  - TOP MOUNTED DRIP SHIELD PROTECTS AGAINST FALLING RAIN, SLEET, AND EXTERNAL ICE FORMATION
  - 14 GAUGE GALVANIZED STEEL FINISH