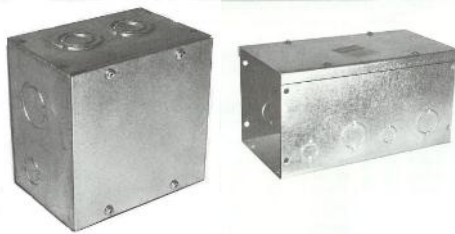


K & S METAL ENCLOSURES



ELECTRICAL BOX AND PANEL MFG. CO., I NC

873 EAST BALTIMORE PIKE #451

KENNETT SQUARE PA 19348

PHONE: (610) 998-1370 FAX: (610) 998-1379

WWW.KSMETALENCLOSURES.COM



Phone 610-998-1370 Fax 610-998-1379

K & S METAL ENCLOSURES

873 EAST BALTIMORE PIKE #451
KENNETT SQUARE , PA 19348

Phone: 610-998-1370

Fax: 610-998-1379

www.ksmetalenclosures.com



Table of Contents

| | |
|---|---------|
| Ordering and Product Information | Page 4 |
| NEMA 1 Screw Cover and Hinge Cover Enclosures | Page 6 |
| NEMA 1 Screw Cover Wireway | Page 12 |
| Type 3 Weather Proof Enclosures | Page 16 |
| Type 3R Rain Tight Enclosures | Page 18 |
| Current Transformer Cabinets | Page 20 |

MANUFACTURING IN THE UNITED STATES FOR OVER 60 YEARS

TERMS AND CONDITIONS

Galvanized boxes in stock for immediate delivery.

No return goods will be accepted unless authorized by the factory. Items returned to factory will incur a 30% restocking charge.

Special sizes and types of enclosures can be fabricated to the customers' specifications. Contact factory for quote. A minimum charge of \$160 applies on one special box. Special or made to order enclosures cannot be canceled and are not returnable.

For shipments \$1000 net and over are prepaid and fully allowed.

NOTES OF SPECIAL INTEREST

When ordering boxes and cabinets, state the size as follows: Height, Width, Depth.

To expedite production please include the following information when ordering special boxes:

- Type- Hinge Cover (HC) or Screw Cover (SC)
- Mounting- Flush or Surface
- Knockouts- With (KO) or Without (NK)
- Hinged Side—First Dimension
- Width- Second Dimension
- Depth- Third Dimension
- Hardware- Specific locking or non-locking catch.
- Boxes greater than 8" or heavier than code gauge are normally furnished without knockouts, unless specified.

National Electrical Code Extract

NEMA Standards Publication 250-2008

NEMA 1—Enclosures are constructed for indoor use to provide protection to personnel against incidental contact with the enclosed equipment; to provide a degree of protection against falling dirt.

NEMA 3—Enclosures are constructed for either indoor or outdoor use to provide protection to personnel against incidental contact with the enclosed equipment; to provide protection against windblown dust.

NEMA 3R—Enclosures are constructed for either indoor or outdoor use to provide protection to personnel against incidental contact with the enclosed equipment; to provide protection against falling dirt, rain, sleet, and snow.

| SPACING AND DIMENSIONS OF LOCK-NUTS AND K.O.'S | | | | | | | | |
|--|--------------------|-----------------|---|---------|----------|----------|---------|---------|
| Diameter of Lock Nut "B" | Punch Diameter "C" | Nominal Conduit | Minimum Spacing of Knock-Outs "A" (SEE TABLE A) | | | | | |
| | | | 1/2" | 3/4" | 1" | 1 1/4" | 1 1/2" | 2" |
| 1 1/8" | 7/8" | 1/2" | 1 1/4" | 1 7/16" | 1 1/2" | 1 11/16" | 1 7/8" | 2 1/8" |
| 1 7/16" | 1 1/8" | 3/4" | | 1 9/16" | 1 11/16" | 1 7/8" | 2" | 2 5/16" |
| 1 5/8" | 1 3/8" | 1" | | | 1 3/4" | 1 15/16" | 2 1/8" | 2 3/8" |
| 2" | 1 3/4" | 1 1/4" | | | | 2 1/8" | 2 5/16" | 2 9/16" |

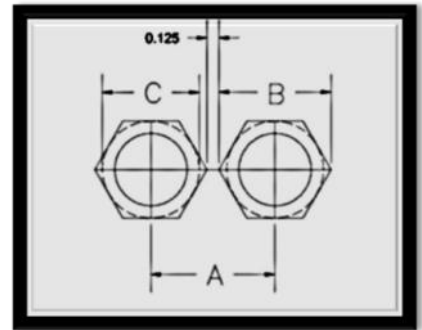


TABLE A

| Conductor Table | | |
|-----------------------|---------------------------------|--------------------------------|
| Wireway Size (inches) | Maximum Cable Size (AWG or MCM) | Allowable Cable Area (sq. in.) |
| 2.5 x 2.5 | 2 | 1.2 |
| 4 x 4 | 4/0 | 3.2 |
| 4 x 6 | 4/0 | 4.8 |
| 6 x 6 | 500 | 7.2 |
| 8 x 8 | 500 | 12.8 |
| 10 x 10 | 1250 | 20.0 |
| 12 x 12 | 2000 | 28.8 |

Size and Number of conductors: No de-rating necessary when there are no more than 30 conductors and does not exceed 20% of any cross section (N.E.C. 362-4) (UL 870-6.1).

TYPE 1 SCREW COVER BOXES



**TYPE 1 SURFACE SCREW
COVER PULL BOXES**

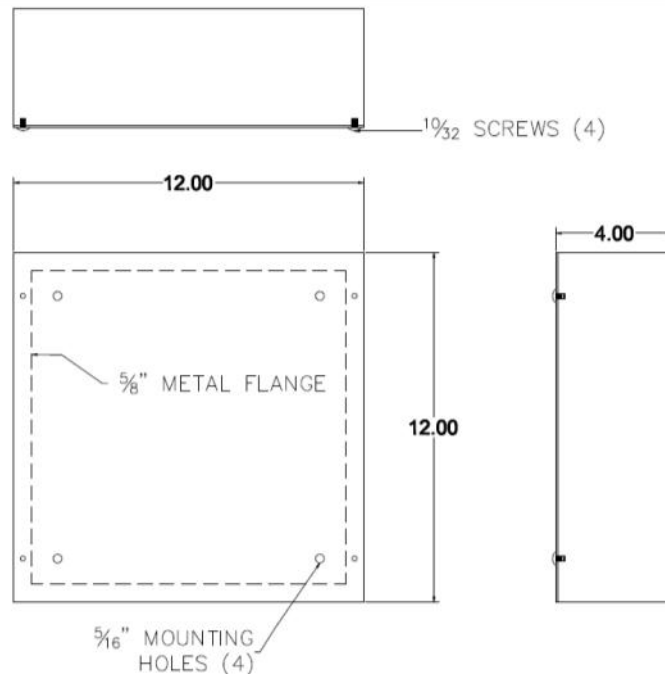
APPLICATION

Used as wiring boxes, junction boxes and pull boxes.

Enclosures are constructed for indoor use to provide protection to personnel against incidental contact with the enclosed equipment and to provide a degree of protection against falling dirt (UL50 5.1.7, 2007).

CONSTRUCTION

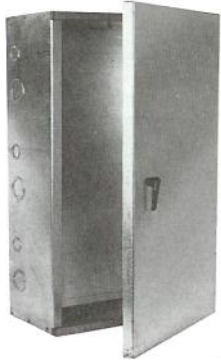
- Enclosures and covers are fabricated from galvanized steel.
- Covers secured to body with plated screws.
- Enclosures are available with or without knockouts or flush mounted covers.
- All enclosures are manufactured to UL50 specifications and bear their label.
- Special sizes are available, call for a quote.



TYPE 1 SCREW COVER BOXES

| Catalog Number | Height, Width, Depth (inches) | Standard Bundle | Weight Per Bundle Lbs. | Catalog Number | Height, Width, Depth (inches) | Standard Bundle | Weight Per Bundle Lbs. |
|----------------|----------------------------------|--------------------|---------------------------|----------------|----------------------------------|--------------------|---------------------------|
| 040404SN | 4 x 4 x 4 | 10 | 20 | 084848SN | 48 x 48 x 8 | 1 | 120 |
| 040606SN | 6 x 6 x 4 | 10 | 33 | 104848SN | 48 x 48 x 10 | 1 | 150 |
| 040806SN | 8 x 6 x 4 | 10 | 40 | 124848SN | 48 x 48 x 12 | 1 | 165 |
| 040808SN | 8 x 8 x 4 | 5 | 25 | | | | |
| 041008SN | 10 x 8 x 4 | 5 | 30 | | WITH KNOCKOUTS | | |
| 041010SN | 10 x 10 x 4 | 5 | 33 | 040404SK | 4 x 4 x 4 | 10 | 20 |
| 041210SN | 12 x 10 x 4 | 5 | 35 | 040606SK | 6 x 6 x 4 | 10 | 33 |
| 041212SN | 12 x 12 x 4 | 5 | 43 | 040806SK | 8 x 6 x 4 | 10 | 40 |
| 041515SN | 15 x 15 x 4 | 1 | 10 | 040808SK | 8 x 8 x 4 | 5 | 25 |
| 041616SN | 16 x 16 x 4 | 1 | 10 | 041008SK | 10 x 8 x 4 | 5 | 30 |
| 041812SN | 18 x 12 x 4 | 3 | 30 | 041010SK | 10 x 10 x 4 | 5 | 33 |
| 041818SN | 18 x 18 x 4 | 2 | 34 | 041210SK | 12 x 10 x 4 | 5 | 35 |
| 042424SN | 24 x 24 x 4 | 1 | 30 | 041212SK | 12 x 12 x 4 | 5 | 43 |
| 043030SN | 30 x 30 x 4 | 1 | 40 | 041515SK | 15 x 15 x 4 | 1 | 10 |
| 060606SN | 6 x 6 x 6 | 6 | 26 | 041616SK | 16 x 16 x 4 | 1 | 10 |
| 060808SN | 8 x 8 x 6 | 3 | 18 | 041812SK | 18 x 12 x 4 | 3 | 30 |
| 061008SN | 10 x 8 x 6 | 3 | 8 | 041818SK | 18 x 18 x 4 | 2 | 34 |
| 061010SN | 10 x 10 x 6 | 3 | 25 | 042424SK | 24 x 24 x 4 | 1 | 30 |
| 061208SN | 12 x 8 x 6 | 3 | 25 | 043030SK | 30 x 30 x 4 | 1 | 40 |
| 061210SN | 12 x 10 x 6 | 3 | 11 | 060606SK | 6 x 6 x 6 | 6 | 26 |
| 061212SN | 12 x 12 x 6 | 3 | 30 | 060808SK | 8 x 8 x 6 | 3 | 18 |
| 061515SN | 15 x 15 x 6 | 1 | 15 | 061008SK | 10 x 8 x 6 | 3 | 8 |
| 061616SN | 16 x 16 x 6 | 1 | 18 | 061010SK | 10 x 10 x 6 | 3 | 25 |
| 061812SN | 18 x 12 x 6 | 2 | 30 | 061208SK | 12 x 8 x 6 | 3 | 25 |
| 061818SN | 18 x 18 x 6 | 2 | 36 | 061210SK | 12 x 10 x 6 | 3 | 11 |
| 062020SN | 20 x 20 x 6 | 1 | 16 | 061212SK | 12 x 12 x 6 | 3 | 30 |
| 062418SN | 24 x 18 x 6 | 1 | 28 | 061515SK | 15 x 15 x 6 | 1 | 15 |
| 062424SN | 24 x 24 x 6 | 1 | 35 | 061616SK | 16 x 16 x 6 | 1 | 18 |
| 063030SN | 30 x 30 x 6 | 1 | 57 | 061812SK | 18 x 12 x 6 | 2 | 30 |
| 063636SN | 36 x 36 x 6 | 1 | 77 | 061818SK | 18 x 18 x 6 | 2 | 36 |
| 081212SN | 12 x 12 x 8 | 2 | 24 | 062020SK | 20 x 20 x 6 | 1 | 16 |
| 081812SN | 18 x 12 x 8 | 1 | 18 | 062418SK | 24 x 18 x 6 | 1 | 28 |
| 081818SN | 18 x 18 x 8 | 2 | 44 | 062424SK | 24 x 24 x 6 | 1 | 35 |
| 082020SN | 20 x 20 x 8 | 1 | 45 | 063030SK | 30 x 30 x 6 | 1 | 57 |
| 082418SN | 24 x 18 x 8 | 1 | 33 | 063636SK | 36 x 36 x 6 | 1 | 77 |
| 082424SN | 24 x 24 x 8 | 1 | 40 | 081212SK | 12 x 12 x 8 | 2 | 24 |
| 083030SN | 30 x 30 x 8 | 1 | 60 | 081812SK | 18 x 12 x 8 | 1 | 18 |
| 083636SN | 36 x 36 x 8 | 1 | 100 | 081818SK | 18 x 18 x 8 | 2 | 44 |
| 101212SN | 12 x 12 x 10 | 3 | 10 | 082020SK | 20 x 20 x 8 | 1 | 45 |
| 101818SN | 18 x 18 x 10 | 1 | 24 | 082418SK | 24 x 18 x 8 | 1 | 33 |
| 102424SN | 24 x 24 x 10 | 1 | 45 | 082424SK | 24 x 24 x 8 | 1 | 40 |
| 103030SN | 30 x 30 x 10 | 1 | 62 | 083030SK | 30 x 30 x 8 | 1 | 60 |
| 103636SN | 36 x 36 x 10 | 1 | 95 | | | | |
| 121212SN | 12 x 12 x 12 | 2 | 15 | | | | |
| 121818SN | 18 x 18 x 12 | 1 | 25 | | | | |
| 122424SN | 24 x 24 x 12 | 1 | 50 | | | | |
| 123030SN | 30 x 30 x 12 | 1 | 70 | | | | |
| 123636SN | 36 x 36 x 12 | 1 | 124 | | | | |

TYPE 1 HINGE COVER BOXES



**TYPE 1 HINGE COVER BOX
WITH KNOCKOUTS AND
HANDLE**

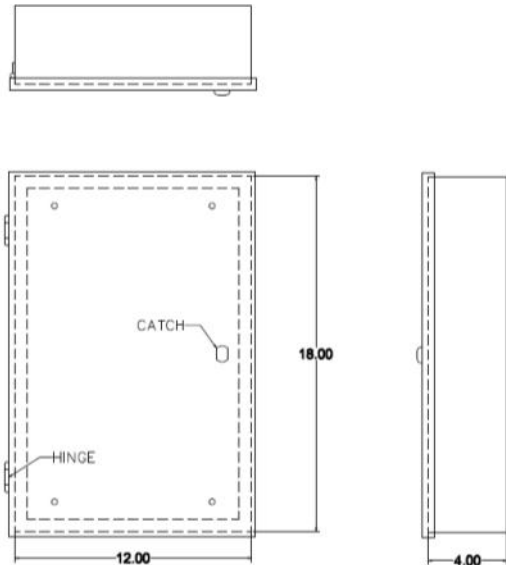
APPLICATION

Used as wiring boxes, junction boxes and pull boxes.

Enclosures are constructed for indoor use to provide protection to personnel against incidental contact with the enclosed equipment and to provide a degree of protection against falling dirt (UL50 5.1.7, 2007).

CONSTRUCTION

- Enclosures and covers are fabricated from galvanized steel.
- Enclosures are available with or without knockouts.
- All enclosures are manufactured to UL50 specifications and bear their label.
- Special sizes are available, call for a quote.
- Boxes are hinged along the long side unless specified.
- Plated butt hinges are standard.
- Please specify hardware listed on page 10.
- Specify with or without removable back panel.



| Panel Table | |
|----------------|-------------------------|
| Catalog Number | Used With This Size Box |
| 66BP | 6 x 6 |
| 86BP | 8 x 6 |
| 88BP | 8 x 8 |
| 108BP | 10 x 8 |
| 1010BP | 10 x 10 |
| 128BP | 12 x 8 |
| 1210BP | 12 x 10 |
| 1212BP | 12 x 12 |
| 1515BP | 15 x 15 |
| 1616BP | 16 x 16 |
| 1812BP | 18 x 12 |
| 1818BP | 18 x 18 |
| 2020BP | 20 x 20 |
| 2418BP | 24 x 18 |
| 2424BP | 24 x 24 |
| 3030BP | 30 x 30 |
| 3636BP | 36 x 36 |

TYPE 1 HINGE COVER BOXES

| Catalog Number | Height, Width, Depth (inches) | Standard Bundle | Weight Per Bundle Lbs. |
|----------------|----------------------------------|-----------------|---------------------------|
| 040404HC | 4 x 4 x 4 | 10 | 20 |
| 040606HC | 6 x 6 x 4 | 10 | 33 |
| 040806HC | 8 x 6 x 4 | 10 | 40 |
| 040808HC | 8 x 8 x 4 | 5 | 25 |
| 041008HC | 10 x 8 x 4 | 5 | 30 |
| 041010HC | 10 x 10 x 4 | 5 | 33 |
| 041210HC | 12 x 10 x 4 | 5 | 35 |
| 041212HC | 12 x 12 x 4 | 5 | 43 |
| 041515HC | 15 x 15 x 4 | 1 | 10 |
| 041616HC | 16 x 16 x 4 | 1 | 10 |
| 041812HC | 18 x 12 x 4 | 3 | 30 |
| 041818HC | 18 x 18 x 4 | 2 | 34 |
| 042424HC | 24 x 24 x 4 | 1 | 30 |
| 043030HC | 30 x 30 x 4 | 1 | 40 |
| 060606HC | 6 x 6 x 6 | 6 | 26 |
| 060808HC | 8 x 8 x 6 | 3 | 18 |
| 061008HC | 10 x 8 x 6 | 3 | 8 |
| 061010HC | 10 x 10 x 6 | 3 | 25 |
| 061208HC | 12 x 8 x 6 | 3 | 25 |
| 061210HC | 12 x 10 x 6 | 3 | 11 |
| 061212HC | 12 x 12 x 6 | 3 | 30 |
| 061515HC | 15 x 15 x 6 | 1 | 15 |
| 061616HC | 16 x 16 x 6 | 1 | 18 |
| 061812HC | 18 x 12 x 6 | 2 | 30 |
| 061818HC | 18 x 18 x 6 | 2 | 36 |
| 062020HC | 20 x 20 x 6 | 1 | 16 |
| 062418HC | 24 x 18 x 6 | 1 | 28 |
| 062424HC | 24 x 24 x 6 | 1 | 35 |
| 063030HC | 30 x 30 x 6 | 1 | 57 |
| 063636HC | 36 x 36 x 6 | 1 | 77 |
| 081212HC | 12 x 12 x 8 | 2 | 24 |
| 081812HC | 18 x 12 x 8 | 1 | 18 |
| 081818HC | 18 x 18 x 8 | 2 | 44 |
| 082020HC | 20 x 20 x 8 | 1 | 45 |
| 082418HC | 24 x 18 x 8 | 1 | 33 |
| 082424HC | 24 x 24 x 8 | 1 | 40 |
| 083030HC | 30 x 30 x 8 | 1 | 60 |
| 083636HC | 36 x 36 x 8 | 1 | 100 |
| 101212HC | 12 x 12 x 10 | 3 | 10 |
| 101818HC | 18 x 18 x 10 | 1 | 24 |
| 102424HC | 24 x 24 x 10 | 1 | 45 |
| 103030HC | 30 x 30 x 10 | 1 | 62 |
| 103636HC | 36 x 36 x 10 | 1 | 95 |
| 121212HC | 12 x 12 x 12 | 2 | 15 |
| 121818HC | 18 x 18 x 12 | 1 | 25 |
| 122424HC | 24 x 24 x 12 | 1 | 50 |
| 123030HC | 30 x 30 x 12 | 1 | 70 |
| 123636HC | 36 x 36 x 12 | 1 | 124 |

Optional Hardware for Hinge Cover Boxes



FLUSH SLOT LATCH
Part #: 610L5N01



QTR. TURN KNOB
Part #: 610L5N03



LOCKING DISC TUMBLER
Part #: 15751



TEE HANDLE
Specify Locking or Non-locking
Part #: 15766



**PAD LOCKABLE HANDLE
WITH 3 POINT CATCH**
Part #: 37-5665X



HASP AND STAPLE
Part #: F2664

TYPE 1 HINGE COVER CUTOUT BOXES

APPLICATION

Used as wiring boxes, junction boxes and pull boxes.

Enclosures are constructed for indoor use to provide protection to personnel against incidental contact with the enclosed equipment and to provide a degree of protection against falling dirt (UL50 5.1.7).



CONSTRUCTION

- Enclosures and covers are fabricated from galvanized steel.
- Enclosures are available with or without knockouts.
- All enclosures are manufactured to UL50 specifications and bear their label.
- Cover is secured with formed hinges on one side and a dimple friction catch on the opposite side.
- Cover is furnished with a recessed pull ring.

| Catalog Number | Height, Width, Depth (inches) | Standard Bundle | Weight Per Bundle Lbs. |
|----------------|-------------------------------|-----------------|------------------------|
| 034505HN | 4.5* x 5 x 3 | 10 | 17 |
| 034509HN | 4.5* x 9 x 3 | 10 | 25 |
| 030606HN | 6 x 6 x 3 | 10 | 28 |
| 030609HN | 6* x 9 x 3 | 10 | 30 |
| 040404HN | 4 x 4 x 4 | 10 | 20 |
| 040606HN | 6 x 6 x 4 | 10 | 33 |
| 040806HN | 8 x 6 x 4 | 10 | 40 |
| 040808HN | 8 x 8 x 4 | 5 | 25 |
| 041008HN | 10 x 8 x 4 | 5 | 30 |
| 041010HN | 10 x 10 x 4 | 5 | 33 |
| 041210HN | 12 x 10 x 4 | 5 | 35 |
| 041212HN | 12 x 12 x 4 | 5 | 43 |
| 041812HN | 18 x 12 x 4 | 3 | 30 |
| 041818HN | 18 x 18 x 4 | 2 | 34 |
| 060606HN | 6 x 6 x 6 | 6 | 26 |
| 060808HN | 8 x 8 x 6 | 3 | 18 |
| 061008HN | 10 x 8 x 6 | 3 | 8 |
| 061010HN | 10 x 10 x 6 | 3 | 25 |
| 061210HN | 12 x 10 x 6 | 3 | 11 |
| 061212HN | 12 x 12 x 6 | 3 | 30 |
| 061812HN | 18 x 12 x 6 | 2 | 30 |
| 061818HN | 18 x 18 x 6 | 2 | 36 |

* Hinged side

TYPE 1 SCREW COVER WIREWAY

APPLICATION

Houses runs of control and power cable.

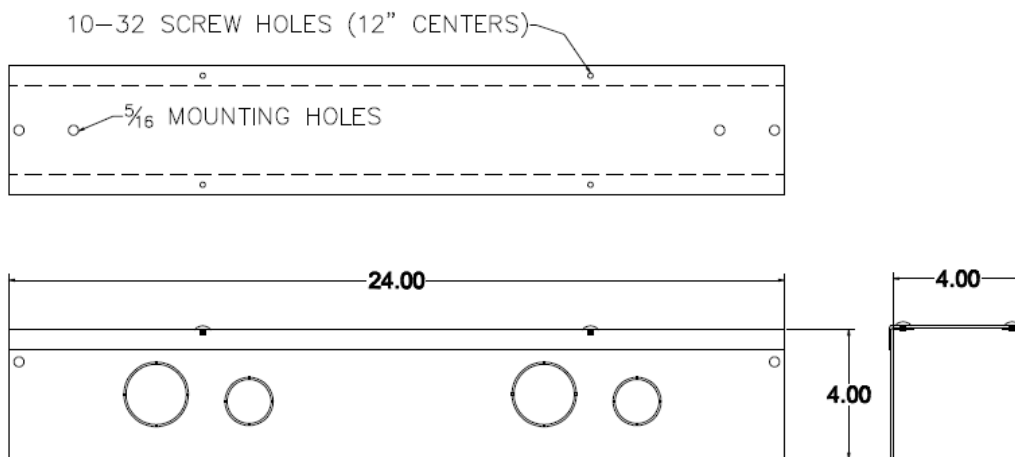
Used for cable and wire junction, distribution and termination.

CONSTRUCTION

- Wireway body and cover are fabricated from galvanized steel.
- Wireway body has mounting holes on back.
- Cover is secured to the body with plated screws.
- Flush and surface wireway covers are available.
- Lengths greater than 8' are furnished with a two piece overlapping cover.
- Variety of fittings which allows runs to change direction, junction and terminate.
- Universal connectors will facilitate connection to any other manufactures wireway.
- Wireway available with or without knockouts. Widths 10" or greater are furnished without knockouts.
- Hinge cover wireway available and is completely interchangeable with screw cover wireway.
- UL 870 Listed, NEMA Type 1.



Screw Cover Wireway with Knockouts




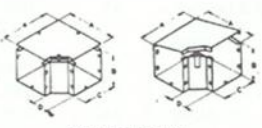
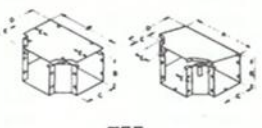



TYPE 1 SCREW COVER WIREWAY

| Catalog Number | Size | Description | Wgt. Lbs. |
|----------------|---------------------|---------------|-----------|
| 252512TSNK | 2 1/2 x 21/2 x 1' | Wireway | 2.5 |
| 252524TSNK | 2 1/2 x 21/2 x 2' | Wireway | 5 |
| 252536TSNK | 2 1/2 x 2 1/2 x 3' | Wireway | 7.5 |
| 252548TSNK | 2 1/2 x 2 1/2 x 4' | Wireway | 10 |
| 252560TSNK | 2 1/2 x 2 1/2 x 5' | Wireway | 12.5 |
| 252572TSNK | 2 1/2 x 2 1/2 x 6' | Wireway | 15 |
| 2525120TSNK | 2 1/2 x 2 1/2 x 10' | Wireway | 25 |
| 2525EP | 2 1/2 x 2 1/2' | End Plate | 0.3 |
| 2525UC | 2 1/2 x 2 1/2' | Connector | 0.3 |
| 2525PA | 2 1/2 x 2 1/2' | Panel Adapter | 0.3 |
| 252545ELL | 2 1/2 x 2 1/2-45 | ELL | 1.5 |
| 252590ELL | 2 1/2 x 2 1/2-90 | ELL | 1.5 |
| 2525TEE | 2 1/2 x 2 1/2' | TEE | 2 |
| 2525X | 2 1/2 x 2 1/2' | Cross | 4 |
| 2525R | 2 1/2 x 2 1/2' | Reducer | 0.03 |
| 2525UH | Universal Drop | Hanger | 1.5 |
| 4412TSNK | 4 x 4 x 1' | Wireway | 4 |
| 4424TSNK | 4 x 4 x 2' | Wireway | 8 |
| 4436TSNK | 4 x 4 x 3' | Wireway | 12 |
| 4448TSNK | 4 x 4 x 4' | Wireway | 16 |
| 4460TSNK | 4 x 4 x 5' | Wireway | 20 |
| 4472TSNK | 4 x 4 x 6' | Wireway | 24 |
| 4496TSNK | 4 x 4 x 8' | Wireway | 35 |
| 44120TSNK | 4 x 4 x 10' | Wireway | 40 |
| 44EP | 4 x 4' | End Plate | 0.5 |
| 44UC | 4 x 4' | Connector | 0.5 |
| 44PA | 4 x 4' | Panel Adapter | 6 |
| 4445ELL | 4 x 4-45 | ELL | 3 |
| 4490ELL | 4 x 4-90 | ELL | 3 |
| 44TEE | 4 x 4' | TEE | 4.5 |
| 44X | 4 x 4' | Cross | 9 |
| 44R | 4 x 4' | Reducer | 0.5 |
| 44UH | Universal Drop | Hanger | 2 |
| 6612TSNK | 6 x 6 x 1' | Wireway | 6 |
| 6624TSNK | 6 x 6 x 2' | Wireway | 12 |
| 6636TSNK | 6 x 6 x 3' | Wireway | 18 |
| 6648TSNK | 6 x 6 x 4' | Wireway | 24 |
| 6660TSNK | 6 x 6 x 5' | Wireway | 30 |
| 6672TSNK | 6 x 6 x 6' | Wireway | 36 |
| 6696TSNK | 6 x 6 x 8' | Wireway | 48 |
| 66120TSNK | 6 x 6 x 10' | Wireway | 60 |
| 66EP | 6 x 6 | End Plate | 1 |
| 66UC | 6 x 6 | Connector | 1 |
| 66PA | 6 x 6 | Panel Adapter | 1 |
| 6645ELL | 6 x 6-45 | ELL | 5 |
| 6690ELL | 6 x 6-90 | ELL | 5 |
| 66TEE | 6 x 6 | Tee | 10.7 |
| 66X | 6 x 6 | Cross | 21 |
| 66R | 6 x 6 | Reducer | 1 |
| 66UH | Universal Drop | Hanger | 5 |

| Catalog Number | Size | Description | Wgt. Lbs. |
|----------------|----------------|---------------|-----------|
| 8812TSNK | 8 x 8 x 1' | Wireway | 9 |
| 8824TSNK | 8 x 8 x 2' | Wireway | 18 |
| 8836TSNK | 8 x 8 x 3' | Wireway | 27 |
| 8848TSNK | 8 x 8 x 4' | Wireway | 36 |
| 8860TSNK | 8 x 8 x 5' | Wireway | 45 |
| 8872TSNK | 8 x 8 x 6' | Wireway | 54 |
| 8896TSNK | 8 x 8 x 8' | Wireway | 75 |
| 88120TSNK | 8 x 8 x 10' | Wireway | 90 |
| 88EP | 8 x 8 | End Plate | 1.3 |
| 88UC | 8 x 8 | Connector | 1.3 |
| 88PA | 8 x 8 | Panel Adapter | 1 |
| 8845ELL | 8 x 8 -45 | ELL | 7 |
| 8890ELL | 8 x 8 -90 | ELL | 7 |
| 88TEE | 8 x 8 | Tee | 21 |
| 88X | 8 x 8 | Cross | 42 |
| 88R | 8 x 8 | Reducer | 1.3 |
| 88UH | Universal Drop | Hanger | 8 |
| 101012TSNK | 10 x 10 x 1' | Wireway | 12 |
| 101024TSNK | 10 x 10 x 2' | Wireway | 24 |
| 101036TSNK | 10 x 10 x 3' | Wireway | 36 |
| 101048TSNK | 10 x 10 x 4' | Wireway | 48 |
| 101060TSNK | 10 x 10 x 5' | Wireway | 60 |
| 101072TSNK | 10 x 10 x 6' | Wireway | 72 |
| 101096TSNK | 10 x 10 x 8' | Wireway | 115 |
| 1010120TSNK | 10 x 10 x 10' | Wireway | 120 |
| 1010EP | 10 x 10 | End Plate | 2 |
| 1010UC | 10 x 10 | Connector | 2 |
| 1010PA | 10 x 10 | Panel Adapter | 3 |
| 101045ELL | 10 x 10 -45 | ELL | 10 |
| 101090ELL | 10 x 10 -90 | ELL | 10 |
| 1010TEE | 10 x 10 | Tee | 40 |
| 1010X | 10 x 10 | Cross | 42 |
| 1010R | 10 x 10 | Reducer | 1.5 |
| 1010UH | Universal Drop | Hanger | 6 |
| 121212TSNK | 12 x 12 x 1' | Wireway | 15 |
| 121224TSNK | 12 x 12 x 2' | Wireway | 30 |
| 121236TSNK | 12 x 12 x 3' | Wireway | 45 |
| 121248TSNK | 12 x 12 x 4' | Wireway | 60 |
| 121260TSNK | 12 x 12 x 5' | Wireway | 75 |
| 121272TSNK | 12 x 12 x 6' | Wireway | 90 |
| 121296TSNK | 12 x 12 x 8' | Wireway | 125 |
| 1212120TSNK | 12 x 12 x 10' | Wireway | 150 |
| 1212EP | 12 x 12 | End Plate | 2.5 |
| 1212UC | 12 x 12 | Connector | 2.5 |
| 1212PA | 12 x 12 | Panel Adapter | 3.5 |
| 121245ELL | 12 x 12 -45 | ELL | 15 |
| 121290ELL | 12 x 12 -90 | ELL | 15 |
| 1212TEE | 12 x 12 | Tee | 48 |
| 1212X | 12 x 12 | Cross | 58 |
| 1212R | 12 x 12 | Reducer | 2 |

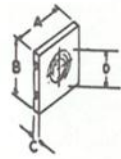
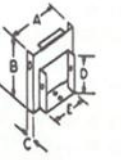

SCREW COVER WIREWAY

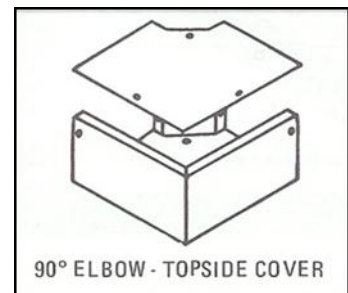
FITTINGS FOR SCREW COVER AND HINGED COVER WIREWAY

| | Size | Catalog Number | Dimensions | | | | |
|--|---------------|----------------|------------|--------|--------|--------|--------|
| | | | A | B | C | D | E |
|  45° ELBOW | 2 1/2 x 2 1/2 | 252545ELL | 2 1/2 | 2 1/2 | 9 1/4 | 3 | 7 1/4 |
| | 4 x 4 | 4445ELL | 4 | 4 | 7 3/8 | 6 1/8 | 5 1/8 |
| | 6 x 6 | 6645ELL | 6 | 6 | 11 | 8 1/8 | 6 1/2 |
| | 8 x 8 | 8845ELL | 8 | 8 | 14 3/4 | 10 1/8 | 8 1/2 |
| | 10 x 10 | 101045ELL | 10 | 10 | 20 | 13 1/8 | 10 1/2 |
| | 12 x 12 | 121245ELL | 12 | 12 | 17 3/4 | 15 1/8 | 7 |
|  90° ELBOW | 2 1/2 x 2 1/2 | 252590ELL | 5 1/2 | 2 1/2 | 2 1/2 | 3 | |
| | 4 x 4 | 4490ELL | 7 | 4 | 4 | 3 | |
| | 6 x 6 | 6690ELL | 10 1/2 | 6 | 6 | 4 1/2 | |
| | 8 x 8 | 8890ELL | 14 | 8 | 8 | 5 1/2 | |
| | 10 x 10 | 101090ELL | 13 | 10 | 10 | 5 1/2 | |
| | 12 x 12 | 121290ELL | 15 | 12 | 12 | 5 1/2 | |
|  TEE | 2 1/2 x 2 1/2 | 2525TEE | 8 1/2 | 2 1/2 | 2 1/2 | 5 1/2 | 3 |
| | 4 x 4 | 44TEE | 10 | 4 | 4 | 7 | 4 1/2 |
| | 6 x 6 | 66TEE | 15 | 6 | 6 | 10 1/2 | 3 |
| | 8 x 8 | 88TEE | 20 | 8 | 8 | 14 | 6 |
| | 10 x 10 | 1010TEE | 30 | 10 | 10 | 20 1/8 | 10 |
| | 12 x 12 | 1212TEE | 36 | 12 | 12 | 24 1/8 | 12 |
|  CROSS | 2 1/2 x 2 1/2 | 2525X | 8 1/2 | 2 1/2 | 2 1/2 | 3 | |
| | 4 x 4 | 44X | 10 | 4 | 4 | 2 1/2 | |
| | 6 x 6 | 66X | 15 | 6 | 6 | 4 | |
| | 8 x 8 | 88X | 20 | 8 | 8 | 6 | |
| | 10 x 10 | 1010X | 29 3/4 | 10 | 10 | 10 | |
| | 12 x 12 | 1212X | 36 | 12 | 12 | 12 | |
|  ADAPTER | 2 1/2 x 2 1/2 | 2525PA | 2 1/2 | 2 1/2 | 5/8 | | |
| | 4 x 4 | 44PA | 4 | 4 | 5/8 | | |
| | 6 x 6 | 66PA | 6 | 6 | 5/8 | | |
| | 8 x 8 | 88PA | 8 | 8 | 5/8 | | |
| | 10 x 10 | 1010PA | 10 | 9 7/8 | 23/32 | | |
| | 12 x 12 | 1212PA | 12 | 11 7/8 | 23/32 | | |
|  "U" CONNECTION | 2 1/2 x 2 1/2 | 2525UC | 2 1/2 | 2 1/2 | 1 3/4 | | |
| | 4 x 4 | 44UC | 4 | 5 | 1 3/4 | | |
| | 6 x 6 | 66UC | 6 | 6 | 1 3/4 | | |
| | 8 x 8 | 88UC | 8 | 8 | 1 3/4 | | |
| | 10 x 10 | 1010UC | 9 7/8 | 10 | 1 3/4 | | |
| | 12 x 12 | 1212UC | 11 7/8 | 12 | 1 3/4 | | |

SCREW COVER WIREWAY

FITTINGS FOR SCREW COVER AND HINGED COVER WIREWAY

| | Size | Catalog Number | Dimensions | | | | |
|---|---------------|----------------|------------|-------|--------|-------------|-------|
| | | | A | B | C | D | E |
|  ENDWALL | 2 1/2 x 2 1/2 | 2525EP | 2 1/2 | 2 1/2 | 5/8 | 7/8 & 1 1/8 | 1 1/4 |
| | 4 x 4 | 44EP | 4 | 4 | 5/8 | 7/8 & 1 1/8 | 2 |
| | 6 x 6 | 66P | 6 | 6 | 5/8 | 7/8 & 1 1/8 | 3 |
| | 8 x 8 | 88EP | 8 | 8 | 5/8 | | |
| | 10 x 10 | 1010EP | 10 | 10 | 1/16 | 5/8 | |
| | 12 x 12 | 1212EP | 12 | 12 | 1/16 | 5/8 | |
|  OFFSET REDUCER | 2 1/2 x 2 1/2 | 2525R | | | | | |
| | 4 x 4 | 44R | 4 | 4 | 5/8 | 2 1/2 | 2 1/2 |
| | 6 x 6 | 66R | 6 | 6 | 5/8 | 4 | 4 |
| | 8 x 8 | 88R | 8 | 8 | 5/8 | 6 | 6 |
| | 10 x 10 | 1010R | 10 | 10 | 5/8 | 7 3/8 | 8 |
| | 12 x 12 | 1212R | 12 | 12 | 5/8 | 9 3/4 | 10 |
|  UNIVERSAL HANGER | 4 x 4 | 44UH | 2 1/2 | 3 1/4 | 11 1/2 | 4 1/4 | |
| | 6 x 6 | 66UH | 2 1/2 | 5 1/4 | 15 | 4 1/4 | |
| | 8 x 8 | 88UH | 2 1/2 | 7 1/4 | 17 | 4 1/4 | |



TYPE NEMA 3 WEATHER PROOF ENCLOSURES

APPLICATION

Used as wiring boxes, junction boxes, and pull boxes.

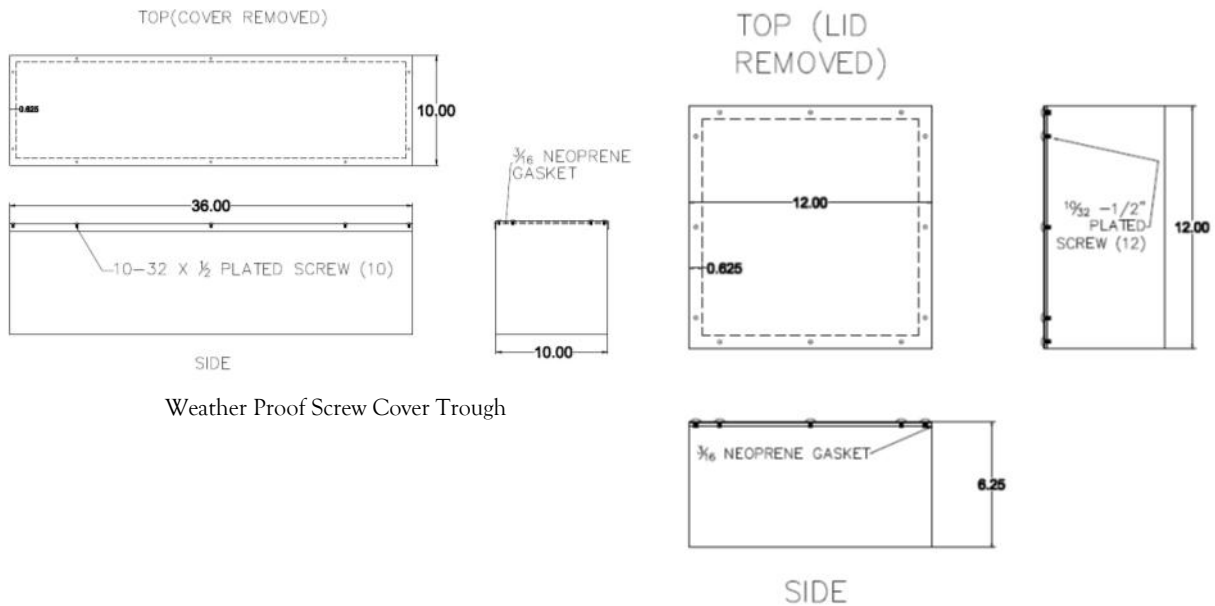
Type 3 enclosures are constructed for either indoor or outdoor use to provide protection to personnel against incidental contact with the enclosed equipment; to provide protection against falling dirt, rain, sleet, snow, and windblown dust; and will be undamaged by the external formation of ice on the enclosure (UL 50 5.1.7, 2007).



Weather Proof Screw Cover Trough

CONSTRUCTION

- Enclosure and cover are fabricated from galvanized steel.
- All continuous welded seams are finished smooth.
- Enclosure standard without knockouts or mounting holes.
- Cover is equipped with oil and water resistant gasket.



TYPE NEMA 3 WEATHER PROOF BOXES AND TROUGH

Weather Proof Seam Welded Boxes

| Catalog Number | Height, Width, Depth (inches) | Weight |
|----------------|-------------------------------|--------|
| 04040WP | 4 x 4 x 4 | 1 |
| 04060WP | 6 x 6 x 4 | 3.5 |
| 040608WP | 6 x 8 x 4 | 4 |
| 040808WP | 8 x 8 x 4 | 5 |
| 041008WP | 10 x 8 x 4 | 6 |
| 041010WP | 10 x 10 x 4 | 6.5 |
| 041208WP | 12 x 8 x 4 | 7 |
| 041210WP | 12 x 10 x 4 | 7.5 |
| 041212WP | 12 x 12 x 4 | 8.6 |
| 041515WP | 15 x 15 x 4 | 10 |
| 041812WP | 18 x 12 x 4 | 10 |
| 041818WP | 18 x 18 x 4 | 11 |
| 060606WP | 6 x 6 x 6 | 4.5 |
| 060608WP | 6 x 8 x 6 | 2.6 |
| 060808WP | 8 x 8 x 6 | 9 |
| 061010WP | 10 x 10 x 6 | 8.5 |
| 061206WP | 12 x 6 x 6 | 5 |
| 061208WP | 12 x 8 x 6 | 5 |
| 061210WP | 12 x 10 x 6 | 6 |
| 061212WP | 12 x 12 x 6 | 10 |
| 061515WP | 15 x 15 x 6 | 15 |
| 061616WP | 16 x 16 x 6 | 16 |
| 061812WP | 18 x 12 x 6 | 15 |
| 061818WP | 18 x 18 x 6 | 18 |
| 062020WP | 20 x 20 x 6 | 19 |
| 062424WP | 24 x 24 x 6 | 35 |
| 063030WP | 30 x 30 x 6 | 57 |
| 063636WP | 36 x 36 x 6 | 77 |
| 080808WP | 8 x 8 x 8 | 9 |
| 081212WP | 12 x 12 x 8 | 12 |
| 081818WP | 18 x 18 x 8 | 22 |
| 082424WP | 24 x 24 x 8 | 40 |
| 083030WP | 30 x 30 x 8 | 60 |
| 083636WP | 36 x 36 x 8 | 100 |
| 101212WP | 12 x 12 x 10 | 3.5 |
| 101818WP | 18 x 18 x 10 | 24 |
| 102424WP | 24 x 24 x 10 | 45 |
| 103030WP | 30 x 30 x 10 | 62 |
| 103636WP | 36 x 36 x 10 | 95 |
| 122424WP | 24 x 24 x 12 | 50 |
| 123030WP | 30 x 30 x 12 | 70 |
| 123636WP | 36 x 36 x 12 | 124 |

Weather Proof Seam Trough

| Catalog Number | Height, Width, Depth (inches) | Weight |
|----------------|-------------------------------|--------|
| 120404TWP | 4 x 4 x 12 | 4 |
| 240404TWP | 4 x 4 x 24 | 8 |
| 360404TWP | 4 x 4 x 36 | 12 |
| 480404TWP | 4 x 4 x 48 | 16 |
| 600404TWP | 4 x 4 x 60 | 20 |
| 720404TWP | 4 x 4 x 72 | 24 |
| 120606TWP | 6 x 6 x 12 | 6 |
| 240606TWP | 6 x 6 x 24 | 12 |
| 360606TWP | 6 x 6 x 36 | 18 |
| 480606TWP | 6 x 6 x 48 | 24 |
| 600606TWP | 6 x 6 x 60 | 30 |
| 720606TWP | 6 x 6 x 72 | 36 |
| 120808TWP | 8 x 8 x 12 | 18 |
| 240808TWP | 8 x 8 x 24 | 27 |
| 360808TWP | 8 x 8 x 36 | 36 |
| 480808TWP | 8 x 8 x 48 | 36 |
| 600808TWP | 8 x 8 x 60 | 45 |
| 720808TWP | 8 x 8 x 72 | 54 |
| 1200808TWP | 8 x 8 x 120 | 90 |
| 121010TWP | 10 x 10 x 12 | 12 |
| 241010TWP | 10 x 10 x 24 | 24 |
| 361010TWP | 10 x 10 x 36 | 36 |
| 481010TWP | 10 x 10 x 48 | 48 |
| 601010TWP | 10 x 10 x 60 | 60 |
| 721010TWP | 10 x 10 x 72 | 72 |
| 961010TWP | 10 x 10 x 96 | 84 |
| 1201010TWP | 10 x 10 x 120 | 120 |
| 121212TWP | 12 x 12 x 12 | 15 |
| 241212TWP | 12 x 12 x 24 | 30 |
| 361212TWP | 12 x 12 x 36 | 45 |
| 481212TWP | 12 x 12 x 48 | 60 |
| 601212TWP | 12 x 12 x 60 | 75 |
| 721212TWP | 12 x 12 x 72 | 90 |
| 961212TWP | 12 x 12 x 96 | 120 |
| 1201212TWP | 12 x 12 x 120 | 150 |

RAIN TIGHT ENCLOSURES

APPLICATION

Used as wiring boxes, junction boxes, pull boxes and wireway.

Type 3R enclosures are constructed for either indoor or outdoor use to provide protection to personnel against incidental contact with the enclosed equipment; to provide protection against falling dirt, rain, sleet, and snow; and will be undamaged by the external formation of ice on the enclosure (UL50 5.1.7, 2007).

CONSTRUCTION

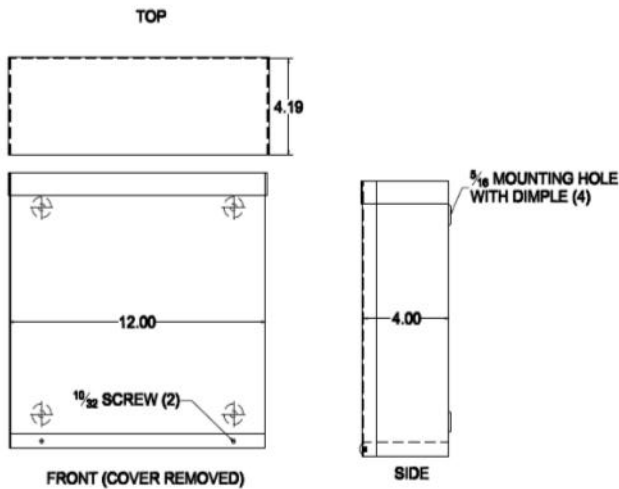
- Enclosure and cover are fabricated from galvanized steel.
- Enclosure body has embossed mounting holes on the back.
- Cover is held secure by sliding it under the top end flange and securing it with plated screws on the bottom end flange.



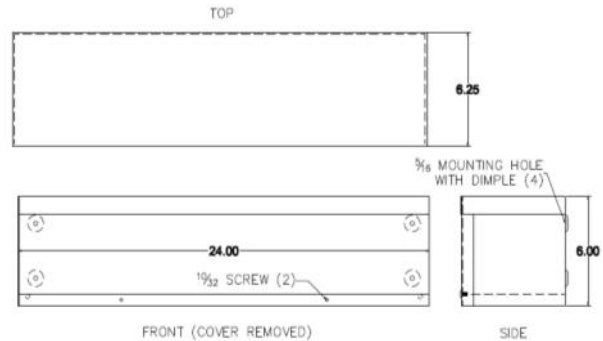
Type 3R Rain Tight Screw Cover Box



Type 3R Rain Tight Screw Cover Trough



NEMA 3R Rain Tight Box



NEMA 3R Rain Tight Trough

RAIN TIGHT ENCLOSURES

RAIN-TIGHT SCREW COVER BOXES

| Catalog Number | Height, Width, Depth (inches) | Weight |
|----------------|-------------------------------|--------|
| 040404RT | 4 x 4 x 4 | 20 |
| 040606RT | 6 x 6 x 4 | 33 |
| 040806RT | 8 x 6 x 4 | 40 |
| 040808RT | 8 x 8 x 4 | 25 |
| 041008RT | 10 x 8 x 4 | 30 |
| 041010RT | 10 x 10 x 4 | 33 |
| 041210RT | 12 x 10 x 4 | 35 |
| 041212RT | 12 x 12 x 4 | 43 |
| 060606RT | 6 x 6 x 6 | 26 |
| 060808RT | 8 x 8 x 6 | 18 |
| 061010RT | 10 x 10 x 6 | 25 |
| 061210RT | 12 x 10 x 6 | 25 |
| 061212RT | 12 x 12 x 6 | 30 |
| 061812RT | 18 x 12 x 6 | 30 |
| 061818RT | 18 x 18 x 6 | 36 |
| 062418RT | 24 x 18 x 6 | 28 |
| 062424RT | 24 x 24 x 6 | 35 |
| 063030RT | 30 x 30 x 6 | 57 |
| 081818RT | 18 x 18 x 8 | 44 |
| 082418RT | 24 x 18 x 8 | 33 |
| 082424RT | 24 x 24 x 8 | 40 |
| 083636RT | 36 x 36 x 8 | 100 |
| 102418RT | 24 x 18 x 10 | 40 |
| 102424RT | 24 x 24 x 10 | 45 |
| 103018RT | 30 x 18 x 10 | 48 |
| 103624RT | 36 x 24 x 10 | 48 |
| 122424RT | 24 x 24 x 12 | 50 |
| 123030RT | 30 x 30 x 12 | 70 |
| 123624RT | 36 x 24 x 12 | 80 |
| 123636RT | 36 x 36 x 12 | 124 |

RAIN-TIGHT SCREW COVER TROUGH

| Catalog Number | Height, Width, Depth (inches) | Weight |
|----------------|-------------------------------|--------|
| 120404RTT | 4 x 4 x 12 | 4 |
| 240404RTT | 4 x 4 x 24 | 8 |
| 360404RTT | 4 x 4 x 36 | 12 |
| 480404RTT | 4 x 4 x 48 | 16 |
| 600404RTT | 4 x 4 x 60 | 20 |
| 720404RTT | 4 x 4 x 72 | 24 |
| 960404RTT | 4 x 4 x 96 | 35 |
| 120606RTT | 6 x 6 x 12 | 6 |
| 240606RTT | 6 x 6 x 24 | 12 |
| 360606RTT | 6 x 6 x 36 | 18 |
| 480606RTT | 6 x 6 x 48 | 24 |
| 600606RTT | 6 x 6 x 60 | 30 |
| 720606RTT | 6 x 6 x 72 | 36 |
| 960606RTT | 6 x 6 x 96 | 55 |
| 1200606RTT | 6 x 6 x 120 | 60 |
| 120808RTT | 8 x 8 x 12 | 9 |
| 240808RTT | 8 x 8 x 24 | 18 |
| 360808RTT | 8 x 8 x 36 | 27 |
| 480808RTT | 8 x 8 x 48 | 36 |
| 600808RTT | 8 x 8 x 60 | 45 |
| 720808RTT | 8 x 8 x 72 | 54 |
| 960808RTT | 8 x 8 x 96 | 75 |
| 1200808RTT | 8 x 8 x 120 | 90 |
| 121010RTT | 10 x 10 x 12 | 12 |
| 241010RTT | 10 x 10 x 24 | 24 |
| 361010RTT | 10 x 10 x 36 | 36 |
| 481010RTT | 10 x 10 x 48 | 48 |
| 601010RTT | 10 x 10 x 60 | 60 |
| 721010RTT | 10 x 10 x 72 | 72 |
| 961010RTT | 10 x 10 x 96 | 84 |
| 1201010RTT | 10 x 10 x 120 | 120 |
| 121212RTT | 12 x 12 x 12 | 15 |
| 241212RTT | 12 x 12 x 24 | 30 |
| 361212RTT | 12 x 12 x 36 | 45 |
| 481212RTT | 12 x 12 x 48 | 60 |
| 601212RTT | 12 x 12 x 60 | 75 |
| 721212RTT | 12 x 12 x 72 | 90 |
| 961212RTT | 12 x 12 x 96 | 120 |
| 1201212RTT | 12 x 12 x 120 | 150 |

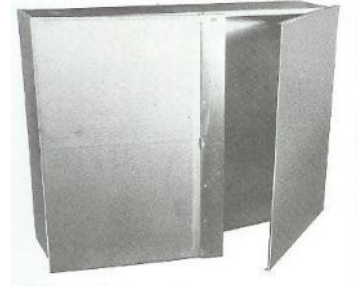
CURRENT TRANSFORMER CABINETS

APPLICATION

Designed to house current transformers.

CONSTRUCTION TYPE NEMA 1

- Enclosure and doors are fabricated from galvanized steel.
- Enclosure body furnished with mounting holes.
- Single or double door construction.
- Doors furnished with wing nuts and utility sealing hole.



Type 1 Double Door Current Transformer (CT) Cabinet

CONSTRUCTION TYPE NEMA 3R

- Enclosure and doors are fabricated form galvanized steel.
- Enclosure body furnished with mounting feet along top and bottom.
- Single or double door construction.
- Overlapping doors are furnished with pad-lockable 3pt. catch handle.
- 3/8 x 16 mounting studs furnished on enclosure body for current transformer mounting equipment.
- Top mounted drip shield protects against falling rain, sleet and external ice formation.
- Stands for pad mounting available.

| Standard Current Transformer Cabinets | |
|---------------------------------------|--------------------------|
| ITEM # | SIZE & TYPE |
| 102424CT | 24 x 24 x 10 Single Door |
| 103024CT | 30 x 24 x 10 Single Door |
| 103624CT | 36 x 24 x 10 Single Door |
| 103030CT | 30 x 30 x 10 Double Door |
| 103630CT | 36 x 30 x 10 Double Door |
| 103636CT | 36 x 36 x 10 Double Door |

CURRENT TRANSFORMER CABINETS

UTILITY AND SIZE TABLE

Current Transformer Cabinets can be fabricated in special sizes and furnished with a variety of hardware. Contact factory for special requirements.

PECO Cabinets

| CURRENT TRANSFORMER CABINETS (CT) CANIBETS INDOOR | | |
|--|--------------------------------|---------------|
| CATALOG # | SIZE (H"xW"xD") | WEIGHT |
| 101824CT | 18 x 24 x 10 SINGLE DOOR 14 GA | 37 |
| 102432CT | 24x 32 x 10 DOUBLE DOOR 14 GA | 65 |
| 103232CT | 32 x 32 x 10 DOUBLE DOOR 14 GA | 75 |
| 103242CT | 32 x 42 x 10 DOUBLE DOOR 14 GA | 175 |
| 124254CT | 42 x 54 x 12 DOUBLE DOOR 14 GA | 142 |

| NEMA 3R CT CABINETS OUTDOOR | | |
|------------------------------------|--------------------------------|---------------|
| CATALOG # | SIZE (H"xW"xD") | WEIGHT |
| 182818N3R | 28 x 18 x 15 SINGLE DOOR 14 GA | 50 |
| 153530N3R | 35 x 30 x 15 DOUBLE DOOR 14 GA | 90 |
| 153540N3R | 35 x 40 x 15 DOUBLE DOOR 14GA | 103 |
| 154232N3R | 42 x 32 x 15 DOUBLE DOOR 14 GA | 120 |
| 154254N3R | 42 x 54 x 15 DOUBLE DOOR 14 GA | 184 |

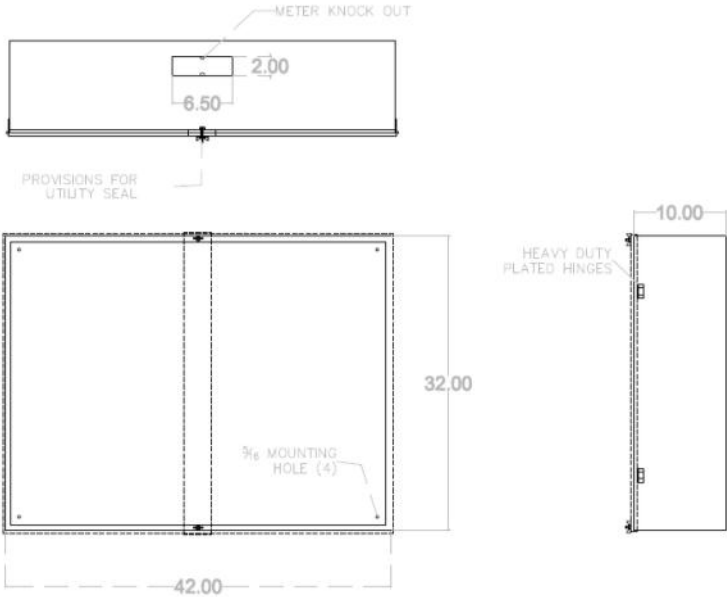
PP&L Cabinets.

| PP&L CT CABINETS NEMA-1 (INDOOR) | | |
|---|------------------------|---------------|
| CATALOG # | SIZE (H"xW"xD") | WEIGHT |
| 123636CT | 36" x 36" x 12 | 125 |
| 124848CT | 48" x 48" x 12" | 156 |
| 127248CT | 72" x 48" x 12" | 181 |

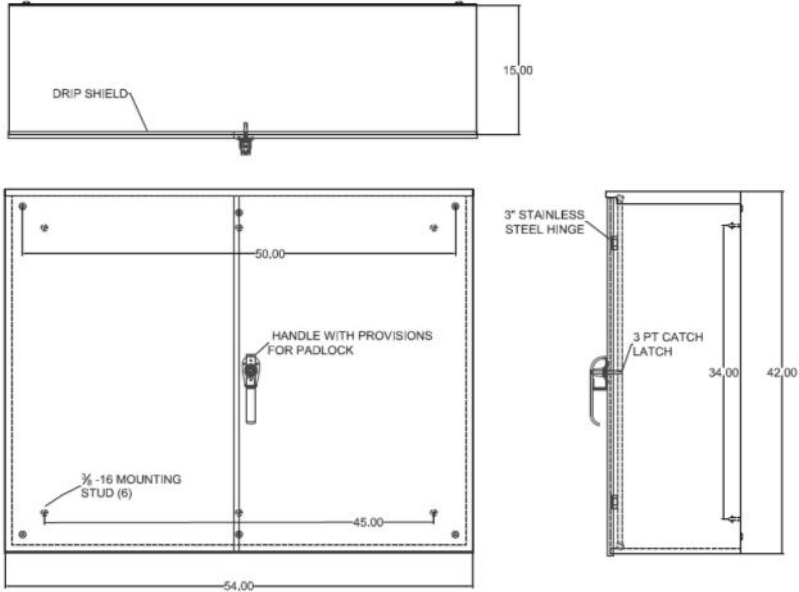
| PP&L CT CABINETS NEMA 3R (OUTDOOR) | | |
|---|------------------------|---------------|
| CATALOG # | SIZE (H"xW"xD") | WEIGHT |
| 123636N3R | 36" x 36" x 12" | 131 |
| 124848N3R | 48" x 48"x 12" | 162 |
| 127248N3R | 72" x 48"x 12" | 187 |

All Dimensions are Height x Width x Depth.

CURRENT TRANSFORMER CABINETS



Type 1 Indoor CT Cabinet



Type 3R Outdoor CT Cabinet

www.ksmetalenclosures.com



www.ksmetalenclosures.com

K & S METAL ENCLOSURES

873 EAST BALTIMORE PIKE #451
KENNETT SQUARE , PA 19348

Phone: 610-998-1370

Fax: 610-998-1379

www.ksmetalenclosures.com

